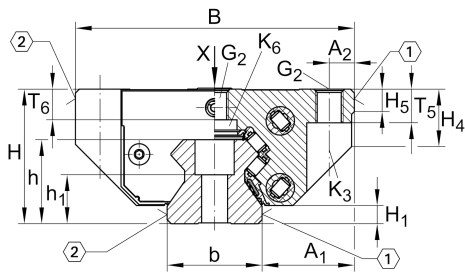


### RWU25-E

#### 循环滚子轴承滑块

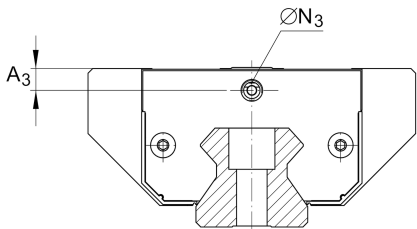
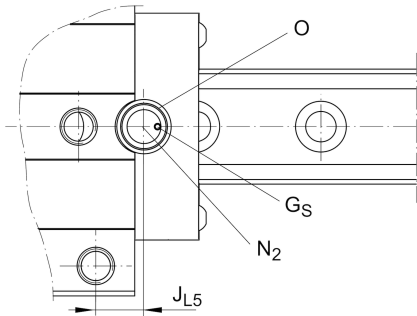
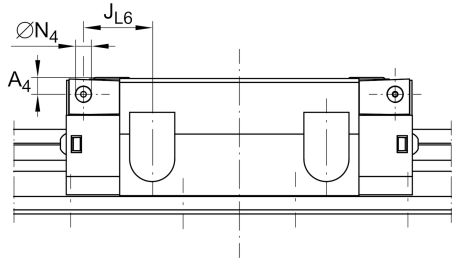
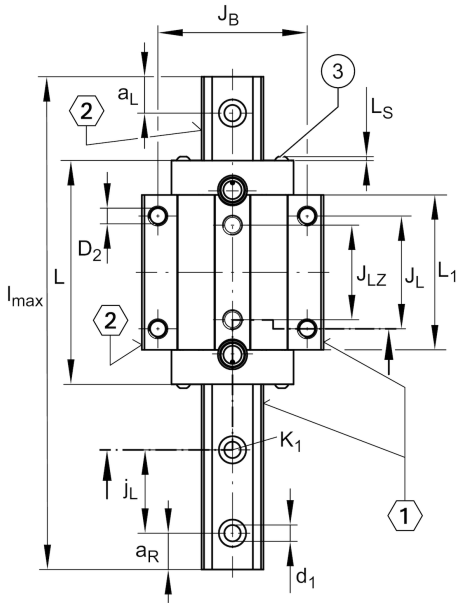
带满装循环滚珠导引系统的标准滑块, 用于直线循环滚珠轴承和导轨组件, 用于油润滑或脂润滑

### 技术信息



#### 主要尺寸和性能数据

H	36 mm	height system
B	70 mm	width carriage
L	91 mm	overall length carriage
C	28,000 N	dynamic load rating
C <sub>0</sub>	65,000 N	dynamic load rating
M <sub>0x</sub>	350 Nm	static moment rating about X axis
M <sub>0y</sub>	760 Nm	static moment rating about Y axis
M <sub>0z</sub>	680 Nm	static moment rating about Z axis
≈m	0.68 kg	重量



安装尺寸

A <sub>1</sub>	23.5 mm	Distance from locating edge on carriage to locating edge on guideway
J <sub>B</sub>	57 mm	
b	23 mm	width rail
A <sub>2</sub>	6.5 mm	Distance from locating edge to hole
L <sub>1</sub>	65.6 mm	
L <sub>S</sub>	2.2 mm	
J <sub>L</sub>	45 mm	
J <sub>LZ</sub>	40 mm	
H <sub>1</sub>	6.5 mm	Free space, system dimension
H <sub>4</sub>	17.8 mm	
H <sub>5</sub>	5.25 mm	
T <sub>5</sub>	10 mm	Thread depth
T <sub>6</sub>	8.5 mm	
G <sub>2</sub>	M8	fixing screws below (DIN ISO 4762-12.9)
G <sub>2</sub> M <sub>A</sub>	24 Nm	maximum tightening torque
K <sub>3</sub>	M6	fixing screws below (DIN ISO 4762-12.9)
K <sub>3</sub> M <sub>A</sub>	17 Nm	maximum tightening torque
K <sub>6</sub>	M6	fixing screws below (DIN 7984-8.8)
K <sub>6</sub> M <sub>A</sub>	10 Nm	maximum tightening torque
D <sub>2</sub>	6.7 mm	bore diameter
A <sub>3</sub>	7.5 mm	position lubrication connector
N <sub>3</sub>	M6	lubrication connector
t N <sub>3</sub>	6 mm	maximum permissible screw depth for lubrication connectors
N <sub>2</sub>	3 mm	max. diameter of lubrication hole in adjacent construction
J <sub>L5</sub>	14.5 mm	position lubrication connector
G <sub>S</sub>	M4x4	
O	10x1,5	O-Ring DIN 3771



附加信息

VMKB\_065 RWU Material name

