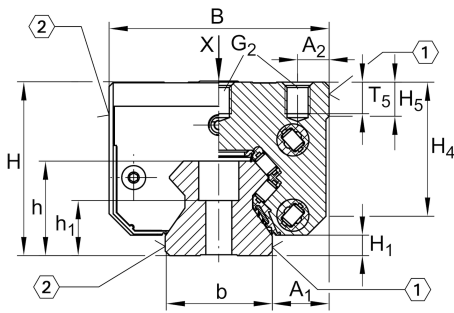


RWU25-E-H [↗](#)

循环滚子轴承滑块

满装循环滚珠系统的高窄滑块，用于直线循环滚珠轴承和导轨组件，用于油润滑和脂润滑

技术信息

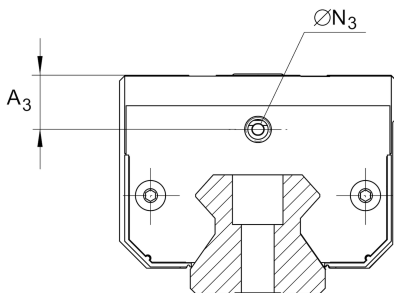
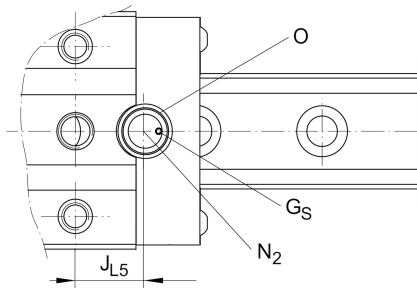
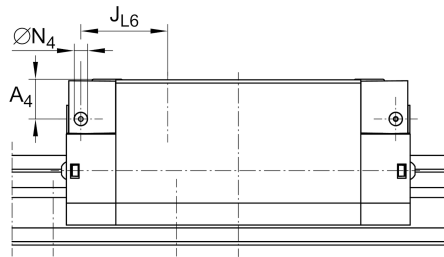
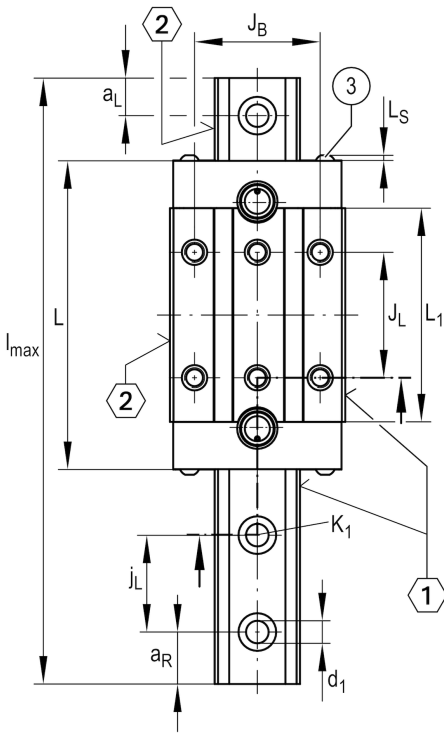


主要尺寸和性能数据

H	40 mm	height system
B	48 mm	width carriage
L	91 mm	overall length carriage
C	28,000 N	dynamic load rating
C ₀	65,000 N	dynamic load rating
M _{0x}	350 Nm	static moment rating about X axis
M _{0y}	760 Nm	static moment rating about Y axis
M _{0z}	680 Nm	static moment rating about Z axis
≈m	0.58 kg	重量



安装尺寸



A_1	12.5 mm	Distance from locating edge on carriage to locating edge on guideway
J_B	35 mm	
b	23 mm	width rail
A_2	6.5 mm	Distance from locating edge to hole
L_1	65.6 mm	
L_S	2.2 mm	
J_L	35 mm	
H_1	6.5 mm	Free space, system dimension
H_4	32.5 mm	
H_5	5.25 mm	
T_5	7.5 mm	Thread depth
G_2	M6	fixing screws below (DIN ISO 4762-12.9)
$G_2 M_A$	17 Nm	maximum tightening torque
A_3	11.5 mm	position lubrication connector
N_3	M6	lubrication connector
$t N_3$	6 mm	maximum permissible screw depth for lubrication connectors
N_2	3 mm	max. diameter of lubrication hole in adjacent construction
J_{L5}	19.5 mm	position lubrication connector
G_S	M4x4	
O	10x1,5	O-Ring DIN 3771

附加信息

VMKB_065	RWU	Material name
----------	-----	---------------

