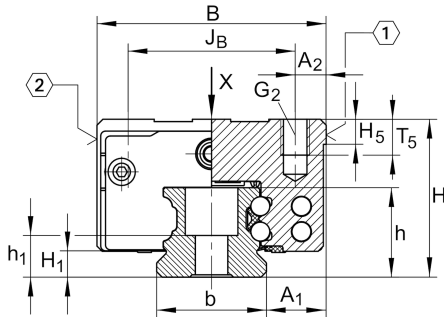


## KWVE15-B-ESC [↗](#)

循环球轴承滑块

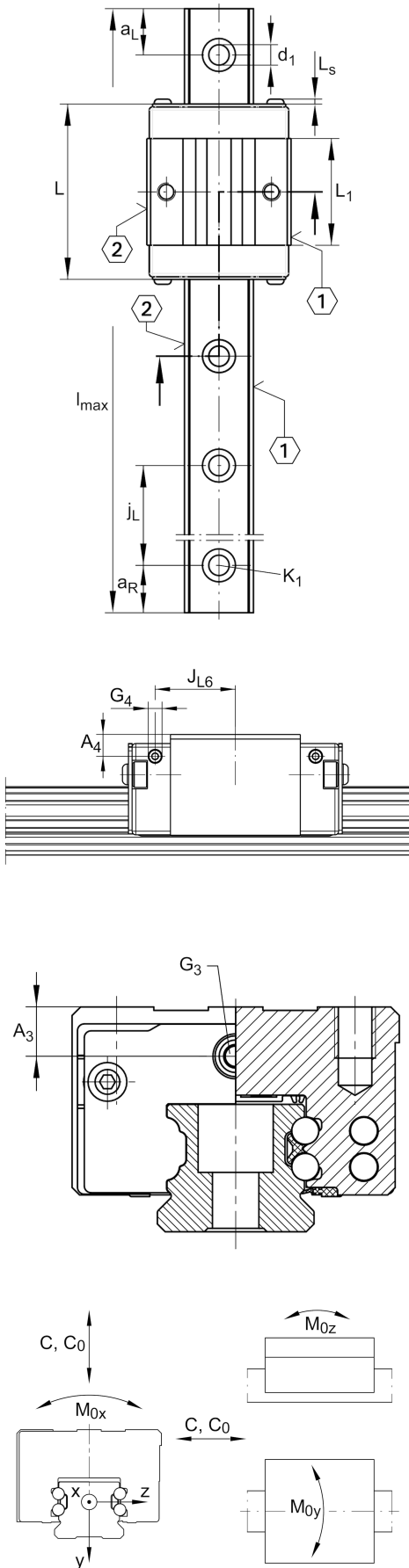
滑块 KWVE..-B-ESC, 窄短型滑块, 四列, 满装滚珠

### 技术信息



#### 主要尺寸和性能数据

H	24 mm	height system
B	34 mm	width carriage
L	44.5 mm	overall length carriage
C	4,900 N	dynamic load rating
C <sub>0</sub>	8,300 N	static load rating
M <sub>0x</sub>	86 Nm	static moment rating about X axis
M <sub>0y</sub>	35 Nm	static moment rating about Y axis
M <sub>0z</sub>	35 Nm	static moment rating about Z axis
≈m	0.12 kg	重量

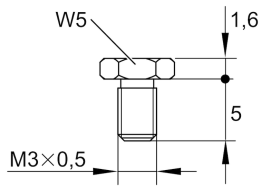


安装尺寸

$A_1$	9.5 mm	Distance from locating edge on carriage to locating edge on guideway
$J_B$	26 mm	
$b$	15 mm	width rail
$A_2$	4 mm	Distance from locating edge to hole
$L_1$	23.1 mm	
$L_S$	1.3 mm	
$H_1$	4.3 mm	Free space, system dimension
$H_5$	4.75 mm	
$T_5$	6 mm	Thread depth
$G_2$	M4	fixing screws above (DIN ISO 4762-12.9)
$G_2 M_A$	5 Nm	maximum tightening torque
$A_3$	4.3 mm	position lubrication connector
$G_3$	M3	lubrication connector
$t G_3$	5.5 mm	maximum permissible screw depth for lubrication connectors
$A_4$	3.2 mm	position lubrication connector
$G_4$	M3	lubrication connector
$t G_4$	5.5 mm	maximum permissible screw depth for lubrication connectors
$J_{L6}$	15.8 mm	position lubrication connector

附加信息

VMKB_065	KWVE	Material name
----------	------	---------------



S16