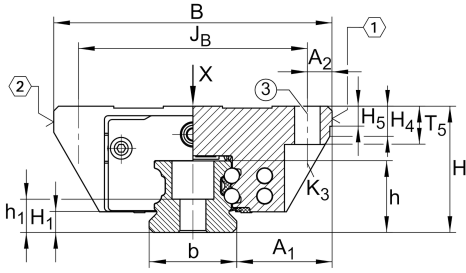


KWVE20-B-EC [↗](#)

循环球轴承滑块

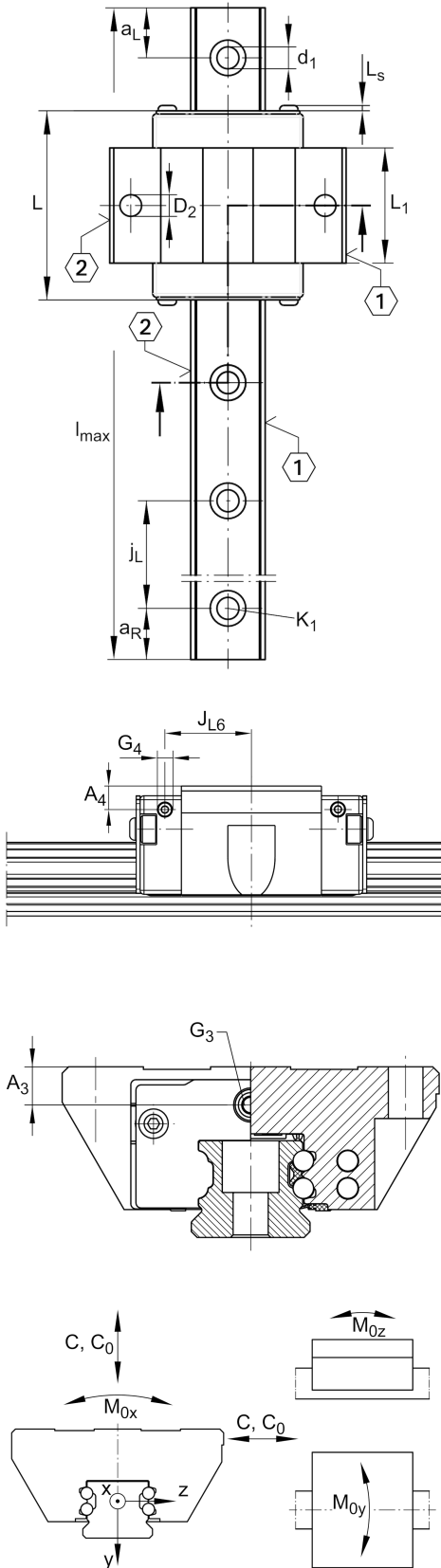
滑块 KWVE..-B-EC, 互换性高, 短滑块, 四列

技术信息



主要尺寸和性能数据

H	28 mm	height system
B	59 mm	width carriage
L	50.4 mm	overall length carriage
C	8,900 N	dynamic load rating
C ₀	15,400 N	static load rating
M _{0x}	190 Nm	static moment rating about X axis
M _{0y}	85 Nm	static moment rating about Y axis
M _{0z}	85 Nm	static moment rating about Z axis
≈m	0.23 kg	重量



安装尺寸

A_1	19.5 mm	Distance from locating edge on carriage to locating edge on guideway
J_B	49 mm	
b	20 mm	width rail
A_2	5 mm	Distance from locating edge to hole
L_1	29.4 mm	
L_s	1.65 mm	
H_1	4.5 mm	Free space, system dimension
H_4	11.2 mm	
H_5	5.25 mm	
T_5	9 mm	Thread depth
K_3	M5	fixing screws below (DIN ISO 4762-12.9)
$K3 M_A$	10 Nm	maximum tightening torque
D_2	5.5 mm	
A_3	6 mm	position lubrication connector
G_3	M5	lubrication connector
$t G_3$	7 mm	maximum permissible screw depth for lubrication connectors
A_4	4.3 mm	position lubrication connector
G_4	M3	lubrication connector
$t G_4$	5.5 mm	maximum permissible screw depth for lubrication connectors
J_{L6}	18.9 mm	position lubrication connector

附加信息

VMKB_065	KWVE	Material name
----------	------	---------------

