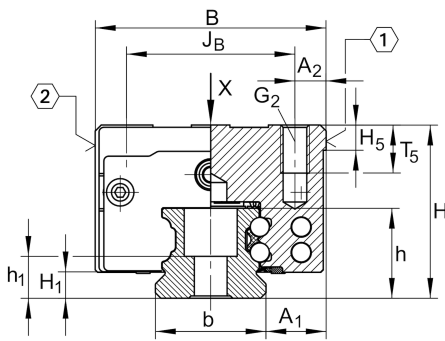


KWVE20-B-SL [↗](#)

循环球轴承滑块

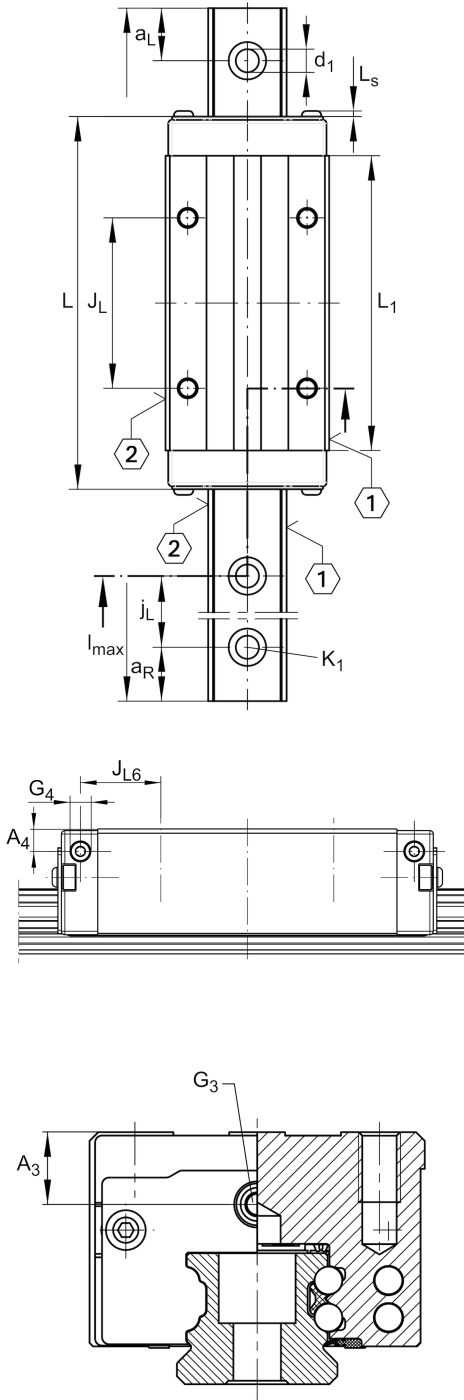
滑块 KWVE..-B-SL, 窄长型滑块, 四列

技术信息



主要尺寸和性能数据

H	30 mm	height system
B	44 mm	width carriage
L	88.9 mm	overall length carriage
C	16,200 N	dynamic load rating
C ₀	36,500 N	static load rating
M _{0x}	452 Nm	static moment rating about X axis
M _{0y}	430 Nm	static moment rating about Y axis
M _{0z}	430 Nm	static moment rating about Z axis
≈m	0.46 kg	重量



安装尺寸

A_1	12 mm	Distance from locating edge on carriage to locating edge on guideway
J_B	32 mm	
b	20 mm	width rail
A_2	6 mm	Distance from locating edge to hole
L_1	67.9 mm	
L_s	1.3 mm	
J_L	50 mm	
H_1	4.5 mm	Free space, system dimension
H_5	5.25 mm	
T_5	7.5 mm	Thread depth
G_2	M5	fixing screws above (DIN ISO 4762-12.9)
$G_2 M_A$	10 Nm	maximum tightening torque
A_3	7.7 mm	position lubrication connector
G_3	M5	lubrication connector
t_{G_3}	7 mm	maximum permissible screw depth for lubrication connectors
A_4	4.6 mm	position lubrication connector
G_4	M5	lubrication connector
t_{G_4}	5.5 mm	maximum permissible screw depth for lubrication connectors
J_{L6}	13.2 mm	position lubrication connector

附加信息

VMKB_065	KWVE	Material name
----------	------	---------------

