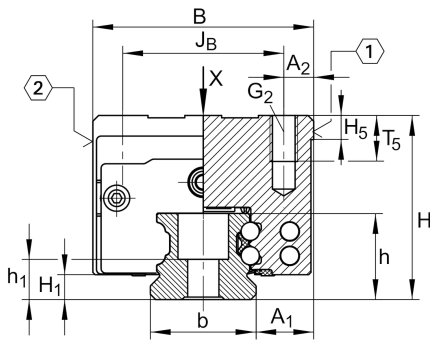


### KWVE20-B-SN [↗](#)

循环球轴承滑块

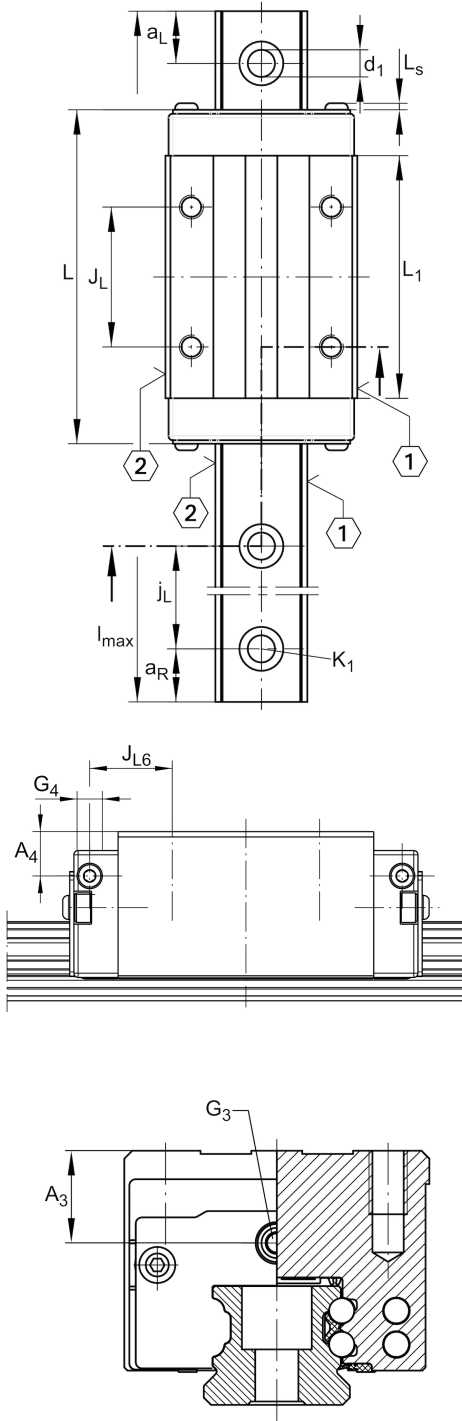
滑块 KWVE..-B-SN, 窄低型滑块, 四列

### 技术信息



#### 主要尺寸和性能数据

H	27 mm	height system
B	44 mm	width carriage
L	71.4 mm	overall length carriage
C	13,100 N	dynamic load rating
C <sub>0</sub>	27,000 N	static load rating
M <sub>0x</sub>	332 Nm	static moment rating about X axis
M <sub>0y</sub>	240 Nm	static moment rating about Y axis
M <sub>0z</sub>	240 Nm	static moment rating about Z axis
≈m	0.29 kg	重量



安装尺寸

$A_1$	12 mm	Distance from locating edge on carriage to locating edge on guideway
$J_B$	32 mm	
$b$	20 mm	width rail
$A_2$	6 mm	Distance from locating edge to hole
$L_1$	50.4 mm	
$L_s$	1.3 mm	
$J_L$	36 mm	
$H_1$	4.5 mm	Free space, system dimension
$H_5$	5.25 mm	
$T_5$	7.5 mm	Thread depth
$G_2$	M5	fixing screws above (DIN ISO 4762-12.9)
$G_2 M_A$	10 Nm	maximum tightening torque
$A_3$	4.7 mm	position lubrication connector
$G_3$	M5	lubrication connector
$t_{G_3}$	7 mm	maximum permissible screw depth for lubrication connectors
$A_4$	3.3 mm	position lubrication connector
$G_4$	M3	lubrication connector
$t_{G_4}$	5.5 mm	maximum permissible screw depth for lubrication connectors
$J_{L6}$	11.4 mm	position lubrication connector

附加信息

VMKB_065	KWVE	Material name
----------	------	---------------

