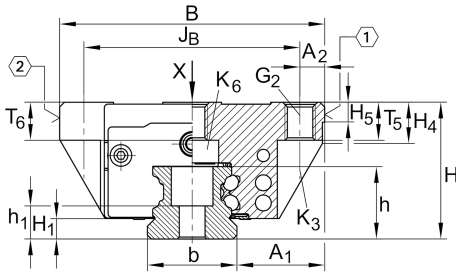


KWVE20-B-N [↗](#)

循环球轴承滑块

滑块 KWVE...-B-N, 低型滑块, 四列

技术信息



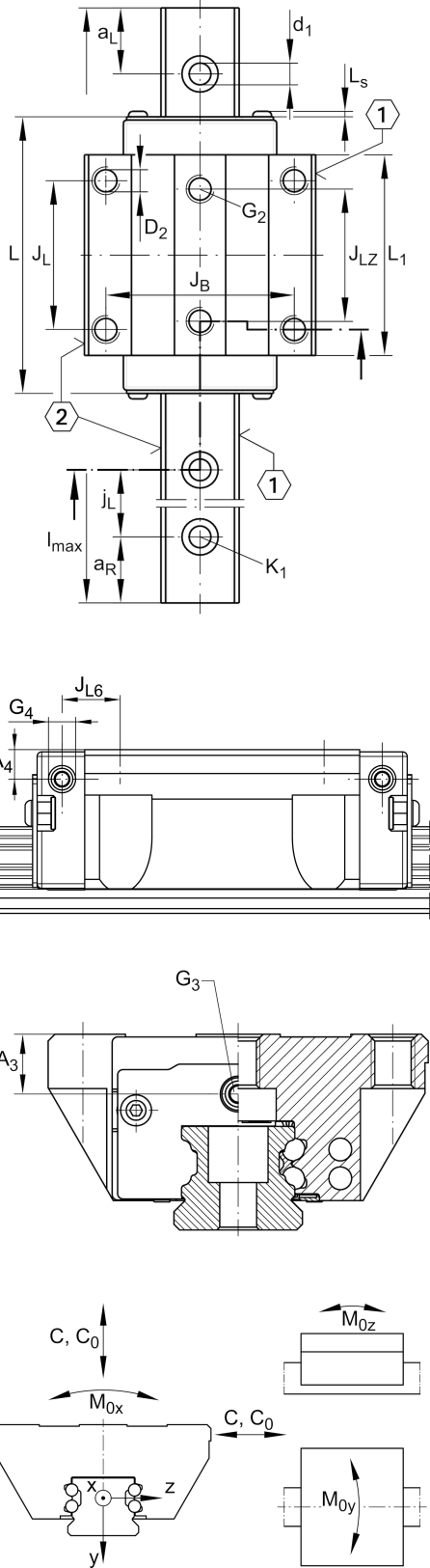
主要尺寸和性能数据

H	27 mm	height system
B	63 mm	width carriage
L	71.4 mm	overall length carriage
C	13,100 N	dynamic load rating
C ₀	27,000 N	static load rating
M _{0x}	332 Nm	static moment rating about X axis
M _{0y}	240 Nm	static moment rating about Y axis
M _{0z}	240 Nm	static moment rating about Z axis
≈m	0.37 kg	重量



安装尺寸

A_1	21.5 mm	Distance from locating edge on carriage to locating edge on guideway
J_B	53 mm	
b	20 mm	width rail
A_2	5 mm	Distance from locating edge to hole
L_1	50.4 mm	
L_S	1.3 mm	
J_L	40 mm	
J_{LZ}	35 mm	
H_1	4.5 mm	Free space, system dimension
H_4	8.6 mm	
H_5	5.25 mm	
T_5	8 mm	Thread depth
T_6	6 mm	
G_2	M6	fixing screws above (DIN ISO 4762-12.9)
$G_2 M_A$	10 Nm	maximum tightening torque
K_3	M5	fixing screws below (DIN ISO 4762-12.9)
$K_3 M_A$	10 Nm	maximum tightening torque
K_6	M5	fixing screws below (DIN 7984-8.8)
$K_6 M_A$	4 Nm	maximum tightening torque
D_2	5.5 mm	
A_3	4.7 mm	position lubrication connector
G_3	M5	lubrication connector
t_{G_3}	7 mm	maximum permissible screw depth for lubrication connectors
A_4	3.3 mm	position lubrication connector
G_4	M3	lubrication connector
t_{G_4}	5.5 mm	maximum permissible screw depth for lubrication connectors
J_{L6}	9.4 mm	position lubrication connector





附加信息

VMKB_065	KWVE	Material name
----------	------	---------------

