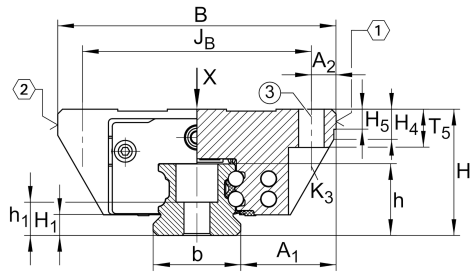


### KWVE20-B-E [↗](#)

循环球轴承滑块

滑块 KWVE..-B-E, 标准滑块, 四列, 满装, 扩展型

### 技术信息

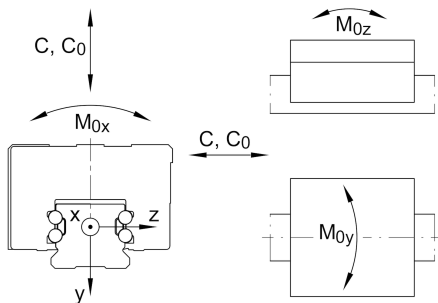
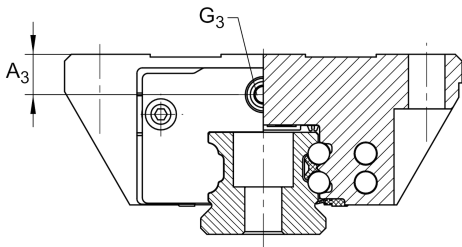
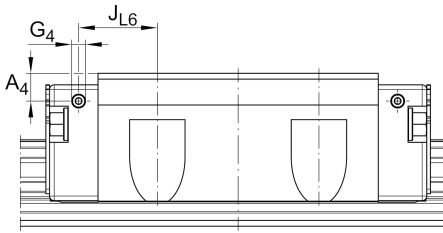
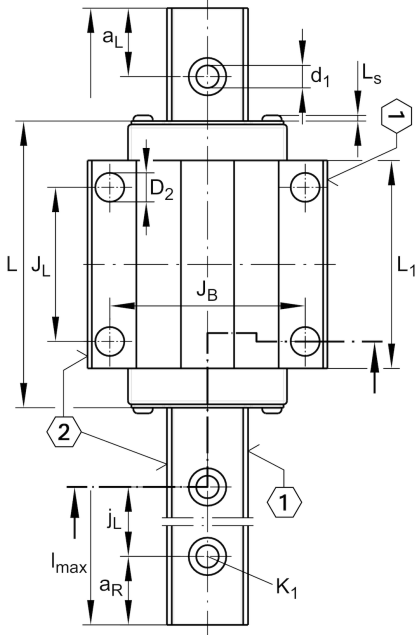


#### 主要尺寸和性能数据

H	28 mm	height system
B	59 mm	width carriage
L	71.4 mm	overall length carriage
C	13,100 N	dynamic load rating
C <sub>0</sub>	27,000 N	static load rating
M <sub>0x</sub>	332 Nm	static moment rating about X axis
M <sub>0y</sub>	240 Nm	static moment rating about Y axis
M <sub>0z</sub>	240 Nm	static moment rating about Z axis
≈m	0.36 kg	重量



安装尺寸



$A_1$	19.5 mm	Distance from locating edge on carriage to locating edge on guideway
$J_B$	49 mm	
$b$	20 mm	width rail
$A_2$	5 mm	Distance from locating edge to hole
$L_1$	50.4 mm	
$L_s$	1.3 mm	
$J_L$	32 mm	
$H_1$	4.5 mm	Free space, system dimension
$H_4$	11.2 mm	
$H_5$	5.25 mm	
$T_5$	9 mm	Thread depth
$K_3$	M5	fixing screws below (DIN ISO 4762-12.9)
$K3 M_A$	10 Nm	maximum tightening torque
$D_2$	5.5 mm	
$A_3$	6 mm	position lubrication connector
$G_3$	M5	lubrication connector
$t_{G_3}$	7 mm	maximum permissible screw depth for lubrication connectors
$A_4$	4.3 mm	position lubrication connector
$G_4$	M3	lubrication connector
$t_{G_4}$	5.5 mm	maximum permissible screw depth for lubrication connectors
$J_{L6}$	13.4 mm	position lubrication connector

附加信息

VMKB_065	KWVE	Material name
----------	------	---------------

