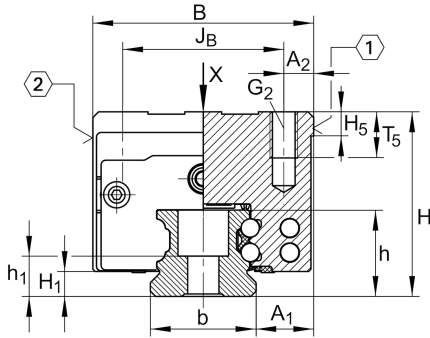


KWVE25-B-H [↗](#)

循环球轴承滑块

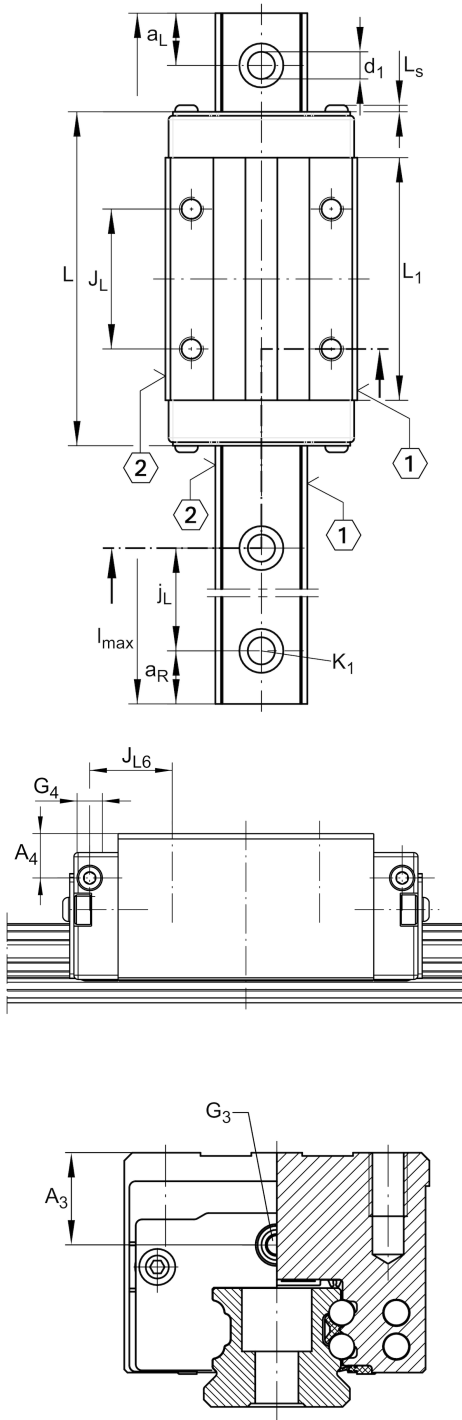
滑块 KWVE..-B-H, 高窄型滑块, 四列

技术信息



主要尺寸和性能数据

H	40 mm	height system
B	48 mm	width carriage
L	83.3 mm	overall length carriage
C	17,900 N	dynamic load rating
C ₀	39,000 N	static load rating
M _{0x}	510 Nm	static moment rating about X axis
M _{0y}	395 Nm	static moment rating about Y axis
M _{0z}	395 Nm	static moment rating about Z axis
≈m	0.65 kg	重量



安装尺寸

A_1	12.5 mm	Distance from locating edge on carriage to locating edge on guideway
J_B	35 mm	
b	23 mm	width rail
A_2	6.5 mm	Distance from locating edge to hole
L_1	60.7 mm	
L_s	1.65 mm	
J_L	35 mm	
H_1	5.1 mm	Free space, system dimension
H_5	5.25 mm	
T_5	10 mm	Thread depth
G_2	M6	fixing screws above (DIN ISO 4762-12.9)
$G_2 M_A$	17 Nm	maximum tightening torque
A_3	15 mm	position lubrication connector
G_3	M6	lubrication connector
t_{G_3}	7 mm	maximum permissible screw depth for lubrication connectors
A_4	10.5 mm	position lubrication connector
G_4	M6	lubrication connector
t_{G_4}	7 mm	maximum permissible screw depth for lubrication connectors
J_{L6}	17.9 mm	position lubrication connector

附加信息

VMKB_065	KWVE	Material name
----------	------	---------------

