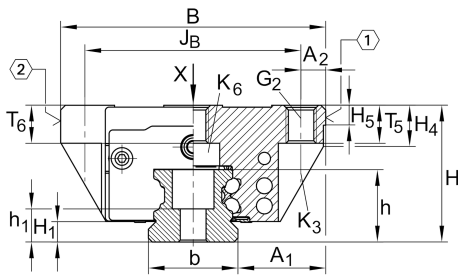


KWVE30-B-NL [↗](#)

循环球轴承滑块

滑块 KWVE..-B-NL, 低长型滑块, 四列

技术信息



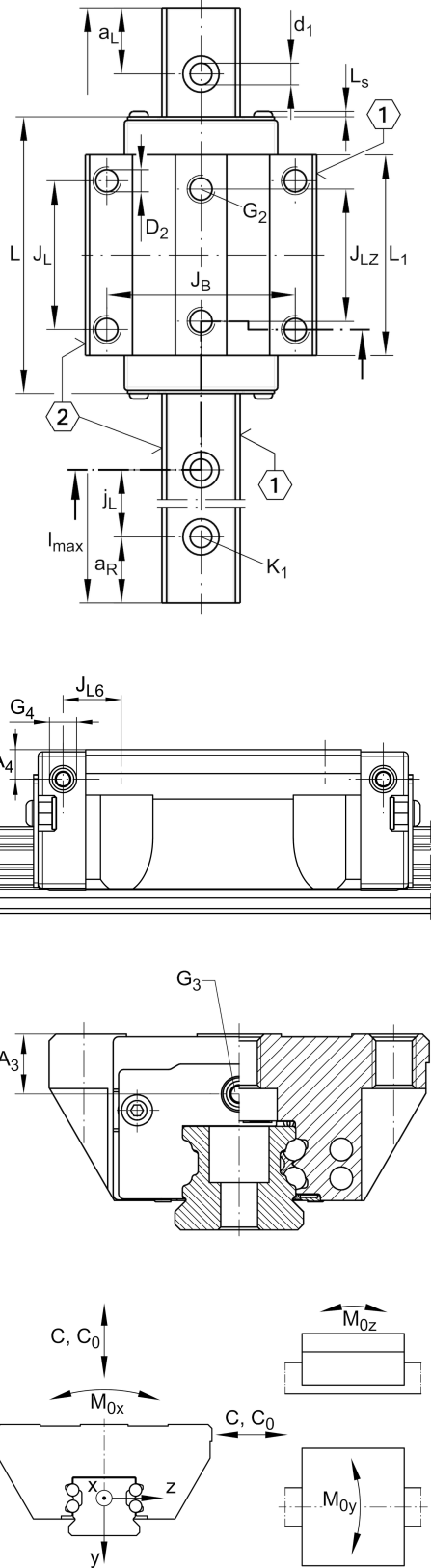
主要尺寸和性能数据

H	38 mm	height system
B	90 mm	width carriage
L	127 mm	overall length carriage
C	34,500 N	dynamic load rating
C ₀	74,000 N	static load rating
M _{0x}	1,310 Nm	static moment rating about X axis
M _{0y}	1,240 Nm	static moment rating about Y axis
M _{0z}	1,240 Nm	static moment rating about Z axis
≈m	1.5 kg	重量



安装尺寸

A_1	31 mm	Distance from locating edge on carriage to locating edge on guideway
J_B	72 mm	
b	28 mm	width rail
A_2	9 mm	Distance from locating edge to hole
L_1	100 mm	
L_S	1.65 mm	
J_L	52 mm	
J_{LZ}	44 mm	
H_1	5.9 mm	Free space, system dimension
H_4	9.8 mm	
H_5	6.25 mm	
T_5	12 mm	Thread depth
T_6	9 mm	
G_2	M10	fixing screws above (DIN ISO 4762-12.9)
$G_2 M_A$	41 Nm	maximum tightening torque
K_3	M8	fixing screws below (DIN ISO 4762-12.9)
$K_3 M_A$	41 Nm	maximum tightening torque
K_6	M8	fixing screws below (DIN 7984-8.8)
$K_6 M_A$	12 Nm	maximum tightening torque
D_2	8.6 mm	
A_3	7.5 mm	position lubrication connector
G_3	M6	lubrication connector
t_{G_3}	7 mm	maximum permissible screw depth for lubrication connectors
A_4	4.95 mm	position lubrication connector
G_4	M5	lubrication connector
t_{G_4}	7 mm	maximum permissible screw depth for lubrication connectors
J_{L6}	29.1 mm	position lubrication connector





附加信息

VMKB_065	KWVE	Material name
----------	------	---------------

