

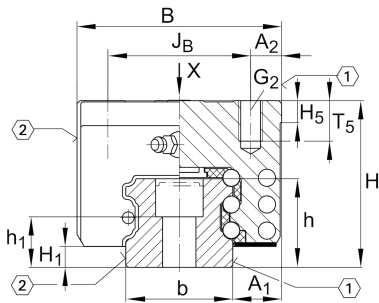
KWSE20-H

循环球轴承滑块

六列直线循环滚珠轴承和导轨组件的高窄滑块

X-life

技术信息

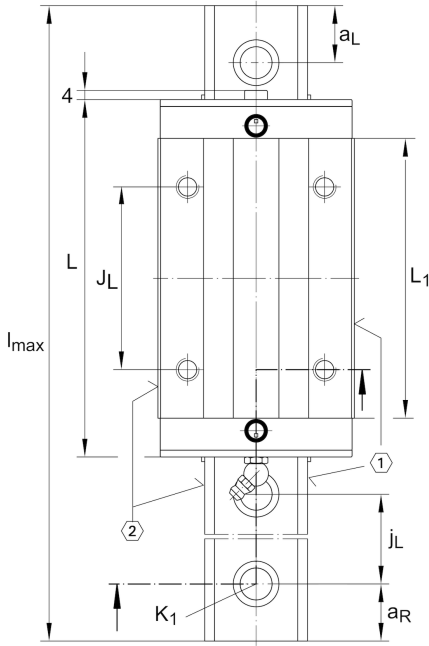


主要尺寸和性能数据

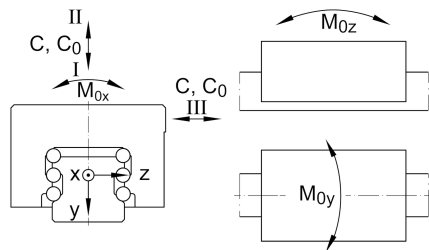
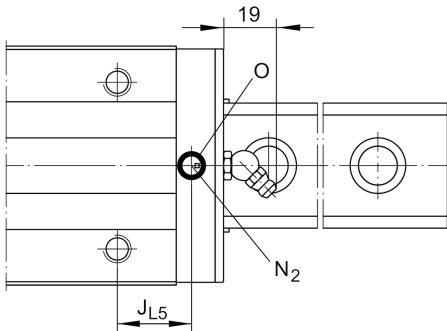
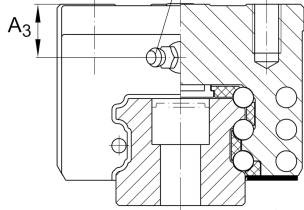
H	30 mm	height system
B	44 mm	width carriage
L	71.4 mm	overall length carriage
I C	22,000 N	dynamic load rating, load direction I: compressive load
I C ₀	52,000 N	static load rating, load direction I: compressive load
II C	21,300 N	dynamic load rating, load direction II: tensile load
II C ₀	35,300 N	static load rating, load direction II: tensile load
III C	21,000 N	dynamic load rating; basic dynamic load rating, Load direction III: lateral load
III C ₀	35,000 N	static load rating, Load direction III: lateral load
≈m	0.32 kg	重量



安装尺寸



DIN 71 412-B M6



A_1	12 mm	Distance from locating edge on carriage to locating edge on guideway
J_B	32 mm	
b	20 mm	width rail
A_2	6 mm	Distance from locating edge to hole
L_1	52.4 mm	
J_L	36 mm	
H_1	4.6 mm	Free space, system dimension
H_5	5 mm	
T_5	6 mm	Thread depth
G_2	M5	fixing screws below (DIN ISO 4762-12.9)
$G_2 M_A$	10 Nm	maximum tightening torque
N_2	3 mm	max. diameter of lubrication hole in adjacent construction
J_{L5}	11.95 mm	position lubrication connector
A_3	5.8 mm	position lubrication connector
t_{A_3}	7 mm	maximum permissible screw depth for lubrication connectors
O	3x1,5	O-Ring DIN 3771
M_{0x}	530 Nm	Moment
M_{0y}	350 Nm	Moment
M_{0z}	305 Nm	Moment

附加信息

VMKB_065	KWSE	Material name
----------	------	---------------

