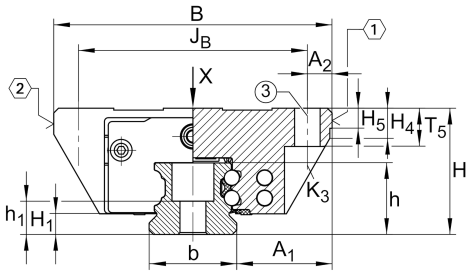


KWVE35-B-EC [↗](#)

循环球轴承滑块

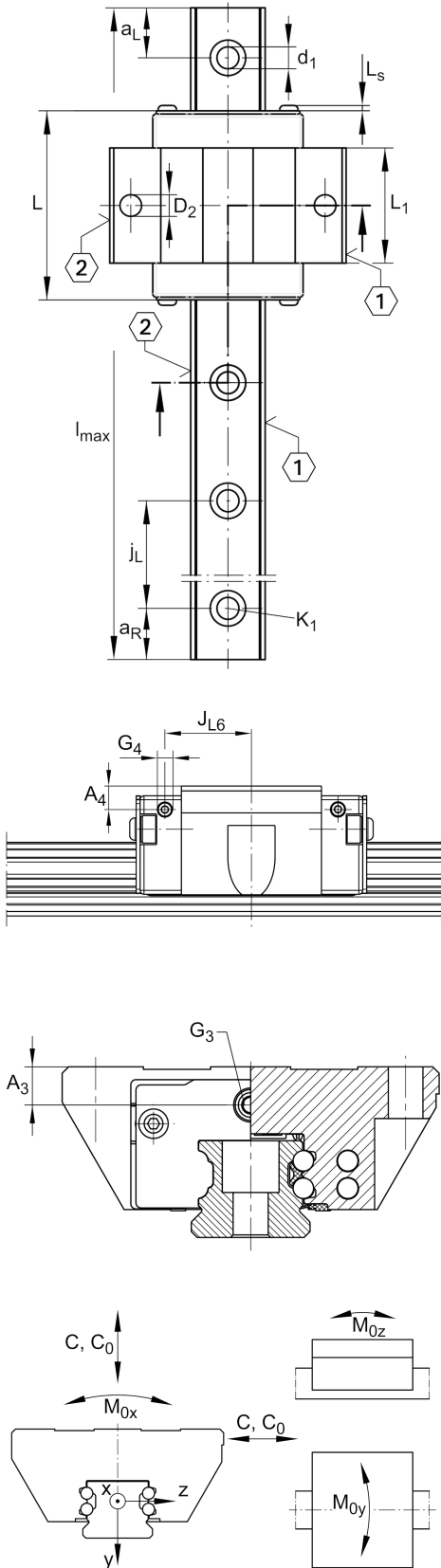
滑块 KWVE..-B-EC, 互换性高, 短滑块, 四列

技术信息



主要尺寸和性能数据

H	48 mm	height system
B	100 mm	width carriage
L	76.2 mm	overall length carriage
C	24,600 N	dynamic load rating
C ₀	39,000 N	static load rating
M _{0x}	790 Nm	static moment rating about X axis
M _{0y}	330 Nm	static moment rating about Y axis
M _{0z}	330 Nm	static moment rating about Z axis
≈m	1.04 kg	重量



安装尺寸

A_1	33 mm	Distance from locating edge on carriage to locating edge on guideway
J_B	82 mm	
b	34 mm	width rail
A_2	9 mm	Distance from locating edge to hole
L_1	44.2 mm	
L_s	1.65 mm	
H_1	6.7 mm	Free space, system dimension
H_4	14.3 mm	
H_5	6.75 mm	
T_5	13.5 mm	Thread depth
K_3	M8	fixing screws below (DIN ISO 4762-12.9)
$K_3 M_A$	41 Nm	maximum tightening torque
D_2	8.6 mm	
A_3	12.3 mm	position lubrication connector
G_3	M6	lubrication connector
$t G_3$	7 mm	maximum permissible screw depth for lubrication connectors
A_4	116 mm	position lubrication connector
G_4	M6	lubrication connector
$t G_4$	7 mm	maximum permissible screw depth for lubrication connectors
J_{L6}	29.1 mm	position lubrication connector

附加信息

VMKB_065	KWVE	Material name
----------	------	---------------

