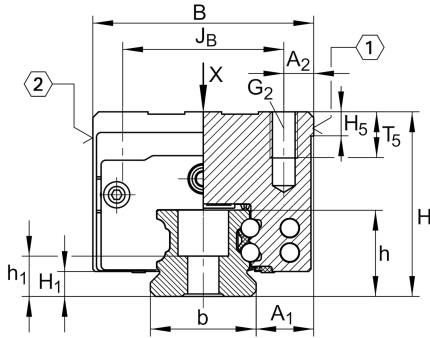


KWVE55-B-S [↗](#)

循环球轴承滑块

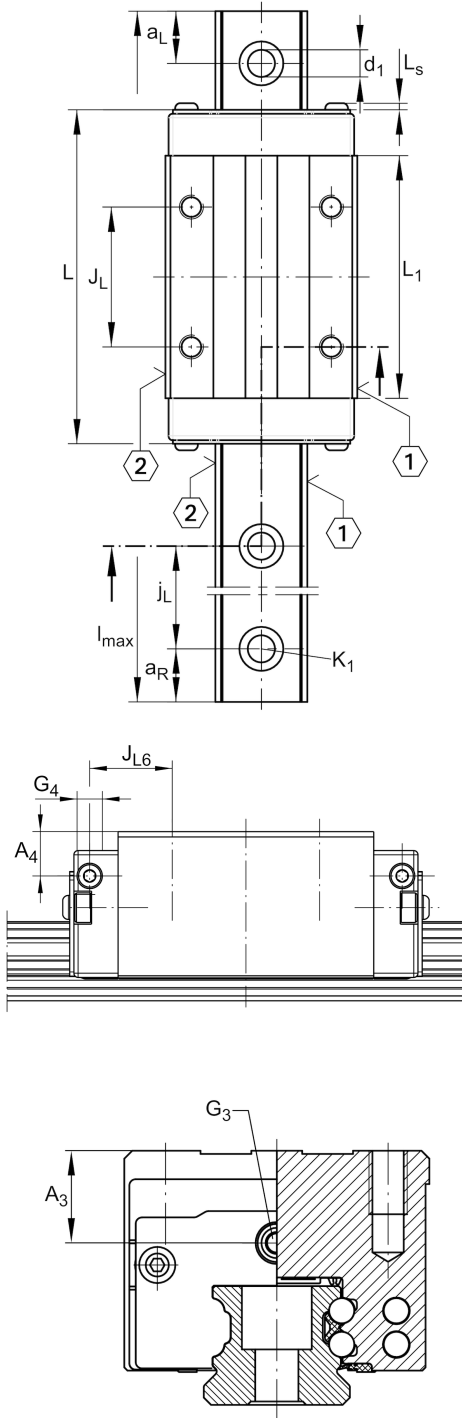
滑块 KWVE...-B-S, 窄型滑块, 四列

技术信息



主要尺寸和性能数据

H	70 mm	height system
B	100 mm	width carriage
L	173.6 mm	overall length carriage
C	104,000 N	dynamic load rating
C ₀	213,000 N	static load rating
M _{0x}	5,600 Nm	static moment rating about X axis
M _{0y}	2,730 Nm	static moment rating about Y axis
M _{0z}	2,730 Nm	static moment rating about Z axis
≈m	4.35 kg	重量



安装尺寸

A_1	23.5 mm	Distance from locating edge on carriage to locating edge on guideway
J_B	75 mm	
b	53 mm	width rail
A_2	12.5 mm	Distance from locating edge to hole
L_1	132 mm	
L_S	2.2 mm	
J_L	75 mm	
H_1	13.5 mm	Free space, system dimension
H_5	11.25 mm	
T_5	15 mm	Thread depth
G_2	M12	fixing screws above (DIN ISO 4762-12.9)
$G_2 M_A$	140 Nm	maximum tightening torque
A_3	15 mm	position lubrication connector
G_3	M6	lubrication connector
t_{G_3}	7 mm	maximum permissible screw depth for lubrication connectors
A_4	15 mm	position lubrication connector
G_4	M6	lubrication connector
t_{G_4}	7 mm	maximum permissible screw depth for lubrication connectors
J_{L6}	40.5 mm	position lubrication connector

附加信息

VMKB_065	KWVE	Material name
----------	------	---------------

