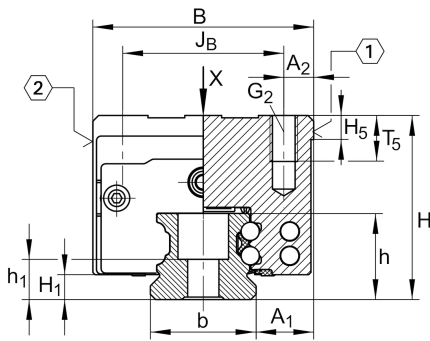


KWVE45-B-SN [↗](#)

循环球轴承滑块

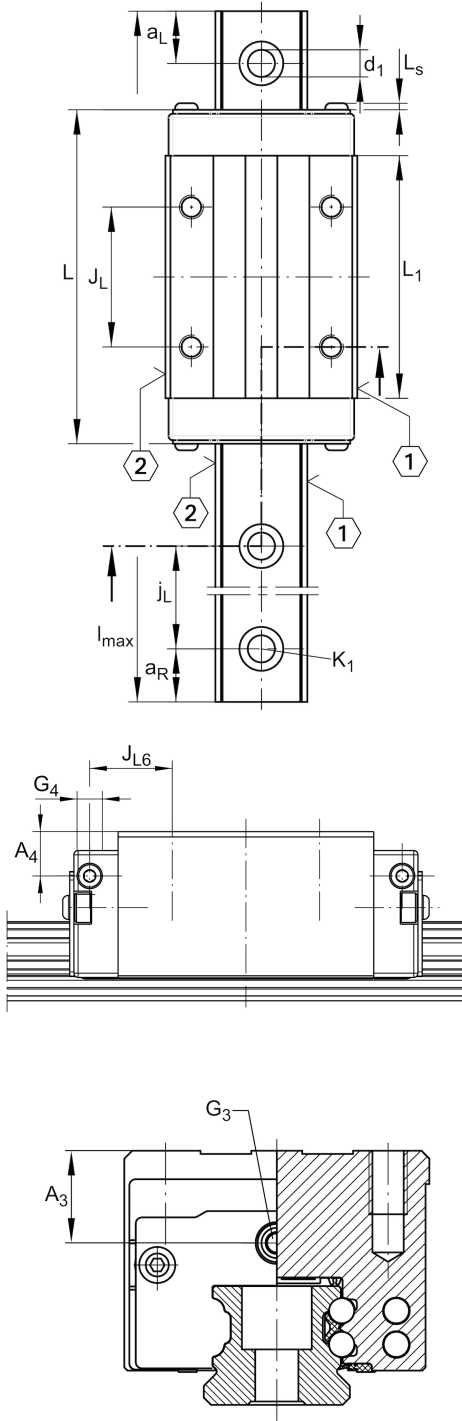
滑块 KWVE..-B-SN, 窄低型滑块, 四列

技术信息



主要尺寸和性能数据

H	52 mm	height system
B	86 mm	width carriage
L	140.6 mm	overall length carriage
C	69,000 N	dynamic load rating
C ₀	141,000 N	static load rating
M _{0x}	3,610 Nm	static moment rating about X axis
M _{0y}	2,485 Nm	static moment rating about Y axis
M _{0z}	2,485 Nm	static moment rating about Z axis
≈m	2.12 kg	重量



安装尺寸

A_1	20.5 mm	Distance from locating edge on carriage to locating edge on guideway
J_B	60 mm	
b	45 mm	width rail
A_2	13 mm	Distance from locating edge to hole
L_1	102.5 mm	
L_S	2.2 mm	
J_L	60 mm	
H_1	9.7 mm	Free space, system dimension
H_5	9.25 mm	
T_5	16.5 mm	Thread depth
G_2	M10	fixing screws above (DIN ISO 4762-12.9)
$G_2 M_A$	83 Nm	maximum tightening torque
A_3	8.5 mm	position lubrication connector
G_3	M6	lubrication connector
t_{G_3}	7 mm	maximum permissible screw depth for lubrication connectors
A_4	8.5 mm	position lubrication connector
G_4	M6	lubrication connector
t_{G_4}	7 mm	maximum permissible screw depth for lubrication connectors
J_{L6}	29.3 mm	position lubrication connector

附加信息

VMKB_065	KWVE	Material name
----------	------	---------------

