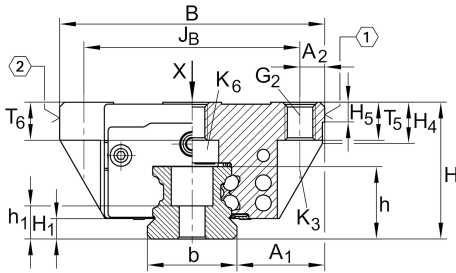


### KWVE55-B [↗](#)

循环球轴承滑块

### 技术信息



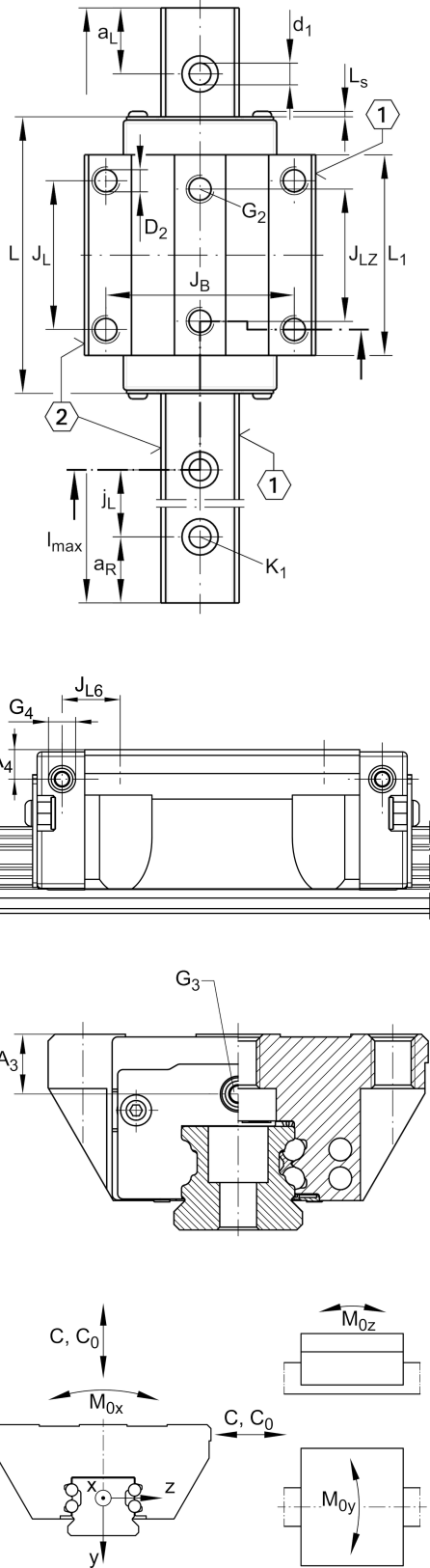
#### 主要尺寸和性能数据

|                 |           |                                   |
|-----------------|-----------|-----------------------------------|
| H               | 70 mm     | height system                     |
| B               | 140 mm    | width carriage                    |
| L               | 173.6 mm  | overall length carriage           |
| C               | 104,000 N | dynamic load rating               |
| C <sub>0</sub>  | 213,000 N | static load rating                |
| M <sub>0x</sub> | 5,600 Nm  | static moment rating about X axis |
| M <sub>0y</sub> | 2,730 Nm  | static moment rating about Y axis |
| M <sub>0z</sub> | 2,730 Nm  | static moment rating about Z axis |
| ≈m              | 5.5 kg    | 重量                                |



安装尺寸

|           |          |  |
|-----------|----------|--|
| $A_1$     | 43.5 mm  | Distance from locating edge on carriage to locating edge on guideway |
| $J_B$     | 116 mm   |  |
| $b$       | 53 mm    | width rail   |
| $A_2$     | 12 mm    | Distance from locating edge to hole                                  |
| $L_1$     | 132 mm   |  |
| $L_S$     | 2.2 mm   |  |
| $J_L$     | 95 mm    |  |
| $J_{LZ}$  | 70 mm    |  |
| $H_1$     | 13.5 mm  | Free space, system dimension   |
| $H_4$     | 22.7 mm  |  |
| $H_5$     | 11.25 mm |  |
| $T_5$     | 21 mm    | Thread depth   |
| $T_6$     | 18 mm    |  |
| $G_2$     | M14      | fixing screws above (DIN ISO 4762-12.9)                              |
| $G_2 M_A$ | 140 Nm   | maximum tightening torque  |
| $K_3$     | M12      | fixing screws below (DIN ISO 4762-12.9)                              |
| $K_3 M_A$ | 140.6 Nm | maximum tightening torque  |
| $K_6$     | M12      | fixing screws below (DIN ISO 4762-12.9)                              |
| $K_6 M_A$ | 140 Nm   | maximum tightening torque  |
| $D_2$     | 12.5 mm  |  |
| $A_3$     | 15 mm    | position lubrication connector                                       |
| $G_3$     | M6       | lubrication connector  |
| $t_{G_3}$ | 7 mm     | maximum permissible screw depth for lubrication connectors           |
| $A_4$     | 15 mm    | position lubrication connector                                       |
| $G_4$     | M6       | lubrication connector  |
| $t_{G_4}$ | 7 mm     | maximum permissible screw depth for lubrication connectors           |
| $J_{L6}$  | 30.5 mm  | position lubrication connector                                       |





附加信息

VMKB\_065

KWVE

Material name

