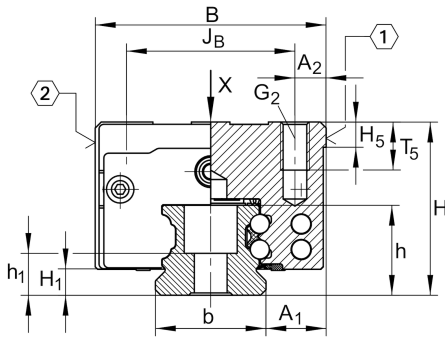


KWVE45-B-HL [↗](#)

循环球轴承滑块

滑块 KWVE...-B-HL, 高窄长型滑块, 四列

技术信息

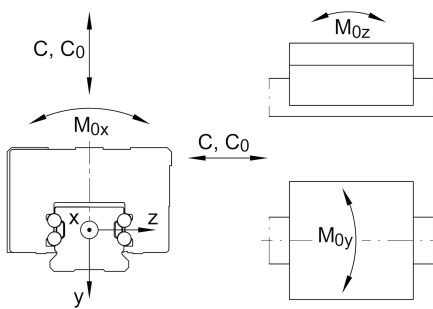
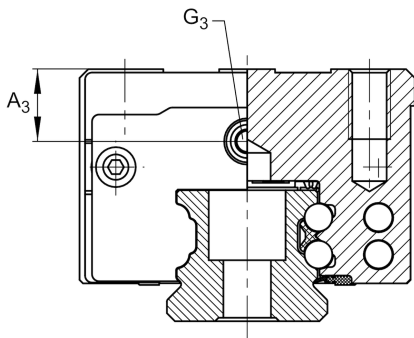
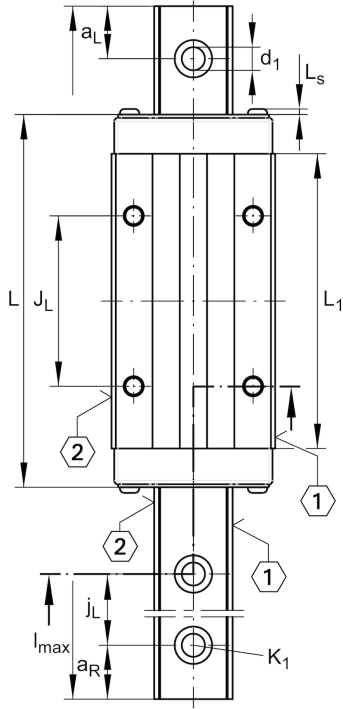


主要尺寸和性能数据

H	70 mm	height system
B	86 mm	width carriage
L	172.7 mm	overall length carriage
C	82,000 N	dynamic load rating
C ₀	181,000 N	static load rating
M _{0x}	4,635 Nm	static moment rating about X axis
M _{0y}	4,000 Nm	static moment rating about Y axis
M _{0z}	4,000 Nm	static moment rating about Z axis
≈m	4.27 kg	重量



安装尺寸



A_1	20.5 mm	Distance from locating edge on carriage to locating edge on guideway
J_B	60 mm	
b	45 mm	width rail
A_2	13 mm	Distance from locating edge to hole
L_1	134.6 mm	
L_S	2.2 mm	
J_L	80 mm	
H_1	9.7 mm	Free space, system dimension
H_5	9.25 mm	
T_5	17 mm	Thread depth
G_2	M10	fixing screws above (DIN ISO 4762-12.9)
$G_2 M_A$	83 Nm	maximum tightening torque
A_3	26.5 mm	position lubrication connector
G_3	M6	lubrication connector
t_{G_3}	7 mm	maximum permissible screw depth for lubrication connectors
A_4	26.5 mm	position lubrication connector
G_4	M6	lubrication connector
t_{G_4}	7 mm	maximum permissible screw depth for lubrication connectors
J_{L6}	35.3 mm	position lubrication connector

附加信息

VMKB_065	KWVE	Material name
----------	------	---------------

