

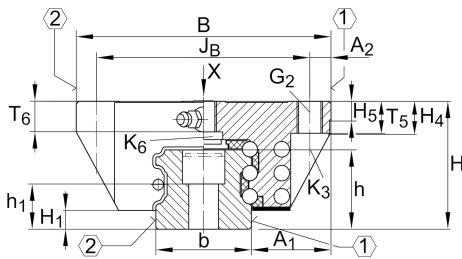
KWSE30

循环球轴承滑块

六列直线循环滚珠轴承的标准滑块和导轨组件

X-life

技术信息



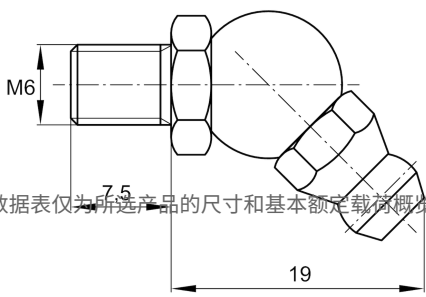
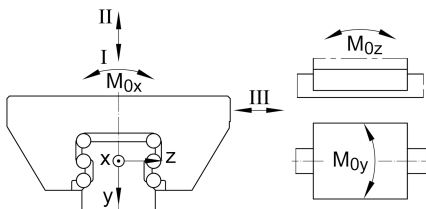
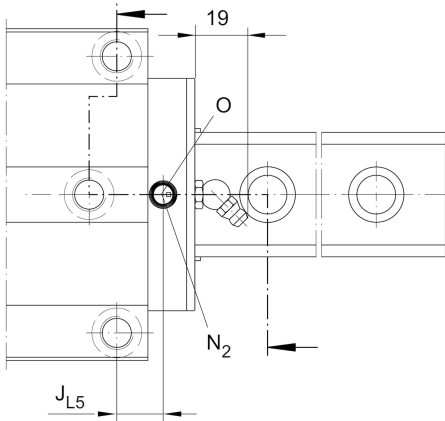
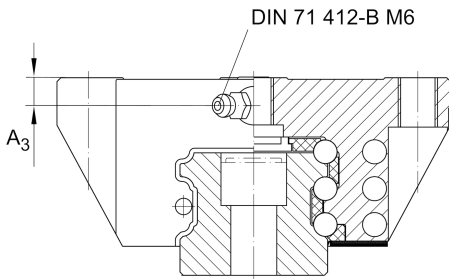
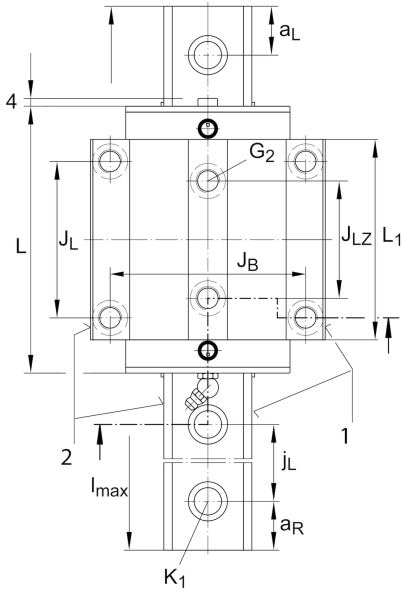
主要尺寸和性能数据

H	42 mm	height system
B	90 mm	width carriage
L	91.6 mm	overall length carriage
I C	40,000 N	dynamic load rating, load direction I: compressive load
I C ₀	80,000 N	static load rating, load direction I: compressive load
II C	37,800 N	dynamic load rating, load direction II: tensile load
II C ₀	60,000 N	static load rating, load direction II: tensile load
III C	40,000 N	dynamic load rating; basic dynamic load rating, Load direction III: lateral load
III C ₀	62,000 N	static load rating, Load direction III: lateral load
≈m	1.2 kg	重量



安装尺寸

A_1	31 mm	Distance from locating edge on carriage to locating edge on guideway
J_B	72 mm	
b	28 mm	width rail
A_2	9 mm	Distance from locating edge to hole
L_1	67.6 mm	
J_L	52 mm	
J_{LZ}	44 mm	
H_1	5.4 mm	Free space, system dimension
H_4	13.2 mm	
H_5	6 mm	
T_5	12 mm	Thread depth
T_6	10 mm	
G_2	M10	fixing screws below (DIN ISO 4762-12.9)
$G_2 M_A$	41 Nm	maximum tightening torque
K_3	M8	fixing screws below (DIN ISO 4762-12.9)
$K_3 M_A$	41 Nm	maximum tightening torque
K_6	M8	fixing screws below (DIN ISO 4762-12.9)
$K_6 M_A$	24 Nm	maximum tightening torque
D_2	8.6 mm	
N_2	4.5 mm	max. diameter of lubrication hole in adjacent construction
J_{L5}	12.8 mm	position lubrication connector
A_3	6.5 mm	position lubrication connector
t_{A_3}	7 mm	maximum permissible screw depth for lubrication connectors
O	4,5x1,5	O-Ring DIN 3771
M_{0x}	1,350 Nm	Moment
M_{0y}	800 Nm	Moment
M_{0z}	710 Nm	Moment





附加信息

VMKB_065

KWSE

Material name