

## RUS38134-KS

### 直线循环滚柱轴承组件

带间隔元件的直线滚珠轴承，带断面润滑街头  
RUS

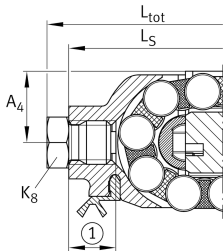
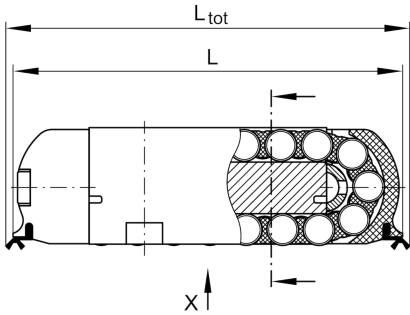
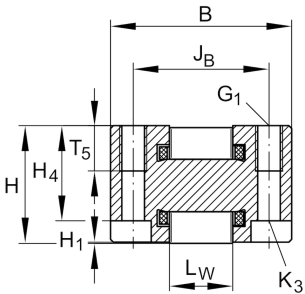
## 技术信息

### 主要尺寸和性能数据

$L_{tot}$	142.05 mm	total length
B	52 mm	宽度
H	38 mm	高度
C	179,000 N	Basic dynamic load rating
$C_0$	275,000 N	Basic static load rating
$\approx m$	1.58 kg	重量

### 安装尺寸

$L_1$	84.7 mm	Mounting dimension
$J_B$	41 mm	Mounting dimension
$J_L$	51 mm	
$H_1$	0.2 mm	
$L_4$	100 mm	minimum support length
$L_W$	20 mm	
$H_4$	31 mm	
$T_5$	14.2 mm	
$G_1$	M8	fixing screws top (DIN ISO 4762-12.9)
$G_1 M_A$	41 Nm	Tightening torque fixing screws
$K_3$	M6	fixing screws below (DIN ISO 4762-12.9)
$K_3 M_{Amax}$	17 Nm	Tightening torque fixing screws
$D_2$	6.9 mm	
$L_S$	136.1 mm	
$A_4$	19.3 mm	
	M6	Lubrication connection DIN3405-A
	6 mm	

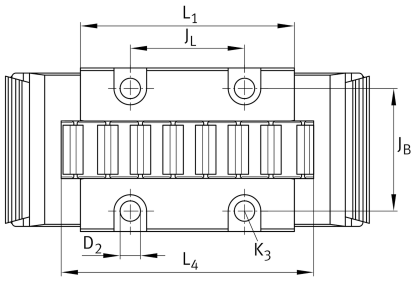




在 medias 上檢視產品詳細資料

23.10.2024, 14:48:53 CST

SCHAEFFLER



### Related products

VUS38134-A	Adjustment gib
UG12553, UGN12553-A, UZ12553, UZN12553-A,	suitable Guide rail
U FK6412, UFB7812	