

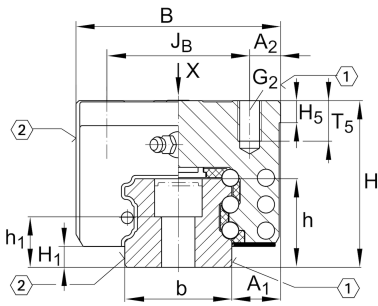
KWSE30-H

循环球轴承滑块

六列直线循环滚珠轴承和导轨组件的高窄滑块

X-life

技术信息

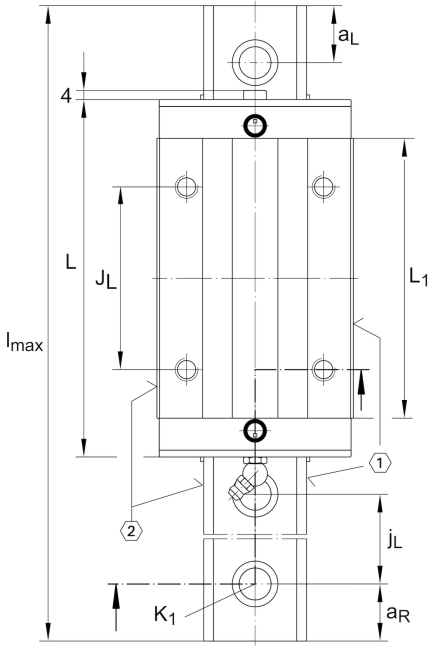


主要尺寸和性能数据

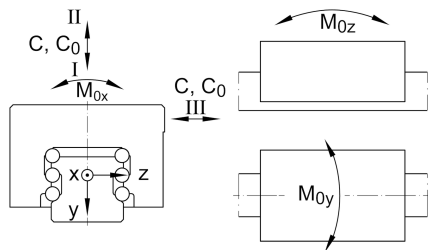
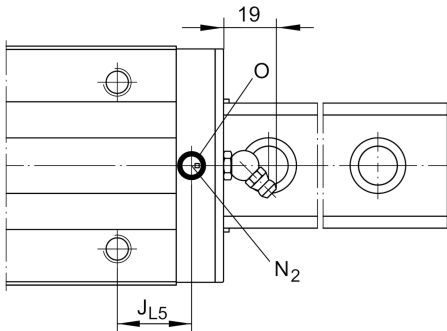
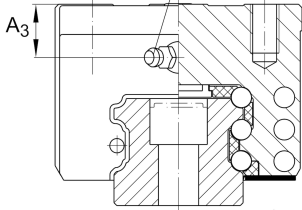
H	45 mm	height system
B	60 mm	width carriage
L	91.6 mm	overall length carriage
I C	40,000 N	dynamic load rating, load direction I: compressive load
I C ₀	80,000 N	static load rating, load direction I: compressive load
II C	37,800 N	dynamic load rating, load direction II: tensile load
II C ₀	60,000 N	static load rating, load direction II: tensile load
III C	40,000 N	dynamic load rating; basic dynamic load rating, Load direction III: lateral load
III C ₀	62,000 N	static load rating, Load direction III: lateral load
≈m	0.9 kg	重量



安装尺寸



DIN 71 412-B M6



A_1	16 mm	Distance from locating edge on carriage to locating edge on guideway
J_B	40 mm	
b	28 mm	width rail
A_2	10 mm	Distance from locating edge to hole
L_1	67.6 mm	
J_L	40 mm	
H_1	5.4 mm	Free space, system dimension
H_5	6 mm	
T_5	11 mm	Thread depth
G_2	M8	fixing screws below (DIN ISO 4762-12.9)
$G_2 M_A$	41 Nm	maximum tightening torque
N_2	4.5 mm	max. diameter of lubrication hole in adjacent construction
J_{L5}	18.8 mm	position lubrication connector
A_3	9.5 mm	position lubrication connector
$t A_3$	7 mm	maximum permissible screw depth for lubrication connectors
O	4,5x1,5	O-Ring DIN 3771
M_{0x}	1,350 Nm	Moment
M_{0y}	800 Nm	Moment
M_{0z}	710 Nm	Moment

附加信息

VMKB_065	KWSE	Material name
----------	------	---------------

