

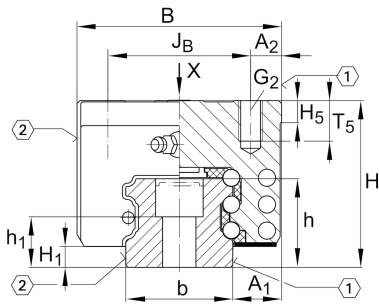
KWSE25-H

循环球轴承滑块

六列直线循环滚珠轴承和导轨组件的高窄滑块

X-life

技术信息

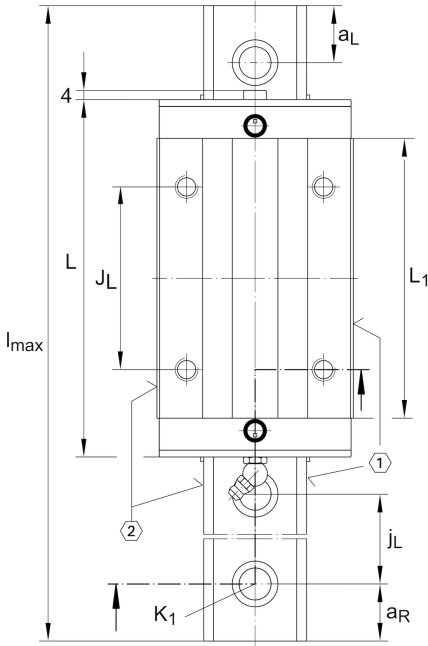


主要尺寸和性能数据

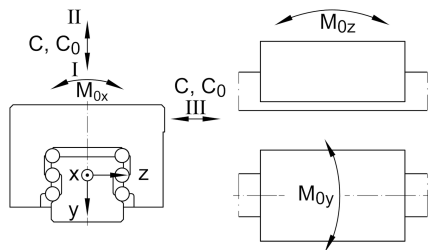
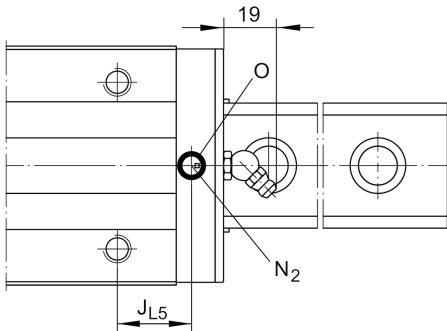
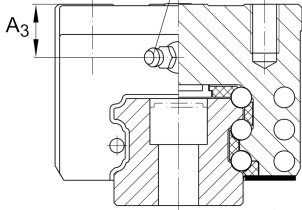
| | | |
|--------------------|----------|--|
| H | 40 mm | height system |
| B | 48 mm | width carriage |
| L | 81.8 mm | overall length carriage |
| I C | 28,000 N | dynamic load rating, load direction I: compressive load |
| I C ₀ | 67,000 N | static load rating, load direction I: compressive load |
| II C | 26,000 N | dynamic load rating, load direction II: tensile load |
| II C ₀ | 45,000 N | static load rating, load direction II: tensile load |
| III C | 28,000 N | dynamic load rating; basic dynamic load rating, Load direction III: lateral load |
| III C ₀ | 47,000 N | static load rating, Load direction III: lateral load |
| ≈m | 0.5 kg | 重量 |



安装尺寸



DIN 71 412-B M6



| | | |
|-----------|----------|--|
| A_1 | 12.5 mm | Distance from locating edge on carriage to locating edge on guideway |
| J_B | 35 mm | |
| b | 23 mm | width rail |
| A_2 | 6.5 mm | Distance from locating edge to hole |
| L_1 | 60.9 mm | |
| J_L | 35 mm | |
| H_1 | 5.2 mm | Free space, system dimension |
| H_5 | 5 mm | |
| G_2 | M6 | fixing screws below (DIN ISO 4762-12.9) |
| $G_2 M_A$ | 17 Nm | maximum tightening torque |
| N_2 | 3 mm | max. diameter of lubrication hole in adjacent construction |
| J_{L5} | 17.94 mm | position lubrication connector |
| A_3 | 10 mm | position lubrication connector |
| t_{A_3} | 7 mm | maximum permissible screw depth for lubrication connectors |
| O | 3x1,5 | O-Ring DIN 3771 |
| M_{0x} | 840 Nm | Moment |
| M_{0y} | 510 Nm | Moment |
| M_{0z} | 450 Nm | Moment |

附加信息

| | | |
|----------|------|---------------|
| VMKB_065 | KWSE | Material name |
|----------|------|---------------|

