

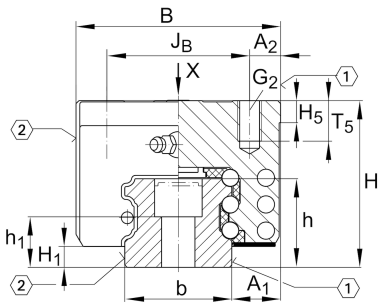
### KWSE30-HL [↗](#)

循环球轴承滑块

六列直线循环滚珠轴承和导轨组件的高窄长滑块

X-life

### 技术信息

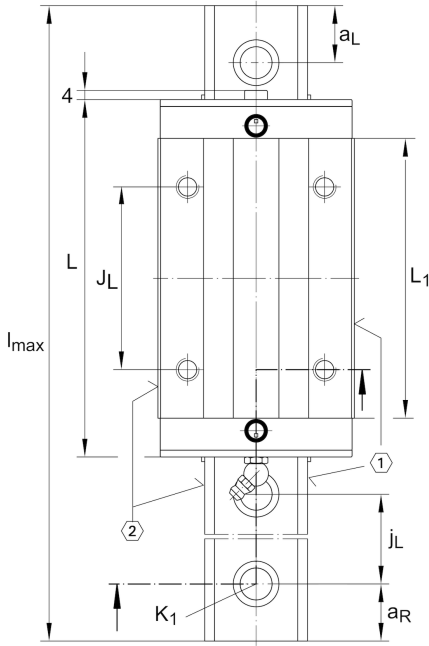


### 主要尺寸和性能数据

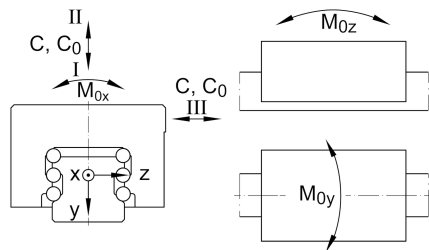
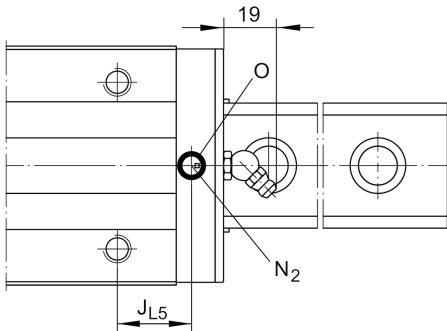
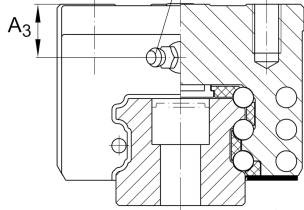
H	45 mm	height system
B	60 mm	width carriage
L	119.3 mm	overall length carriage
I C	51,000 N	dynamic load rating, load direction I: compressive load
I C <sub>0</sub>	113,000 N	static load rating, load direction I: compressive load
II C	48,000 N	dynamic load rating, load direction II: tensile load
II C <sub>0</sub>	85,000 N	static load rating, load direction II: tensile load
III C	50,000 N	dynamic load rating; basic dynamic load rating, Load direction III: lateral load
III C <sub>0</sub>	88,000 N	static load rating, Load direction III: lateral load
≈m	1.2 kg	重量



安装尺寸



DIN 71 412-B M6



$A_1$	16 mm	Distance from locating edge on carriage to locating edge on guideway
$J_B$	40 mm	
$b$	28 mm	width rail
$A_2$	10 mm	Distance from locating edge to hole
$L_1$	95.3 mm	
$J_L$	60 mm	
$H_1$	5.4 mm	Free space, system dimension
$H_5$	6 mm	
$T_5$	11 mm	Thread depth
$G_2$	M8	fixing screws below (DIN ISO 4762-12.9)
$G_2 M_A$	41 Nm	maximum tightening torque
$N_2$	4.5 mm	max. diameter of lubrication hole in adjacent construction
$J_{L5}$	22.65 mm	position lubrication connector
$A_3$	9.5 mm	position lubrication connector
$t_{A_3}$	7 mm	maximum permissible screw depth for lubrication connectors
$O$	4,5x1,5	O-Ring DIN 3771
$M_{0x}$	1,920 Nm	Moment
$M_{0y}$	1,540 Nm	Moment
$M_{0z}$	1,360 Nm	Moment

附加信息

VMKB_065	KWSE	Material name
----------	------	---------------

