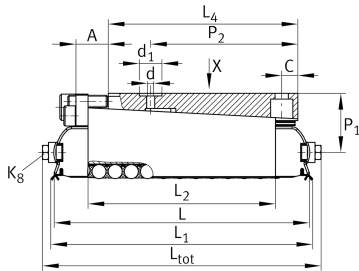


## RUSV42102-KS [↗](#)

### 直线循环滚柱轴承组件

直线滚珠轴承，带间隔元件，带集成调节槽，RUSV...KS

## 技术信息

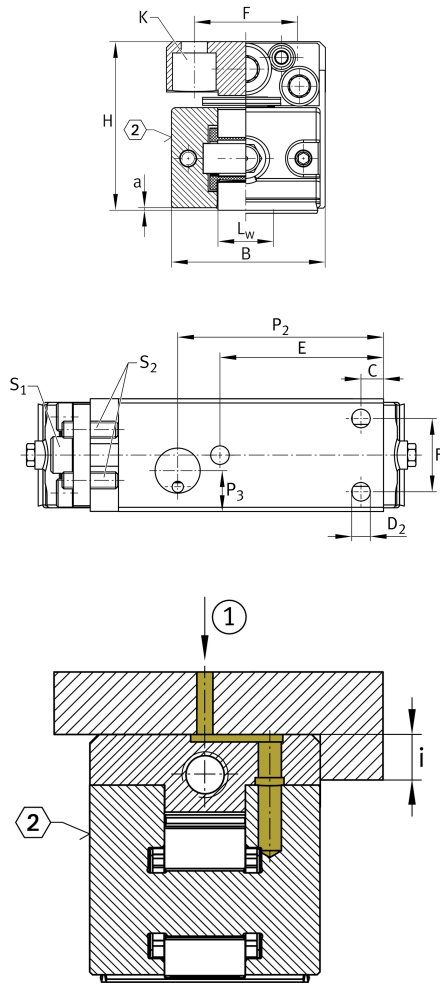


### 主要尺寸和性能数据

L	114 mm	Length total
B	40 mm	宽度
H	42 mm	高度
C	95,000 N	Basic dynamic load capacity
C <sub>0</sub>	151,000 N	Basic static load capacity
≈m	1.04 kg	重量



### 安装尺寸



L	102 mm	
L <sub>1</sub>	108 mm	
L <sub>3</sub>	68.4 mm	
L <sub>4</sub>	70 mm	
a	0.3 mm	
L <sub>w</sub>	14 mm	
C	8 mm	
E	38 mm	Mounting dimension
F	26 mm	
i	6 mm	Mounting dimension
P <sub>1</sub>	29.5 mm	
d <sub>1</sub>	16 mm	
P <sub>2</sub>	53 mm	
P <sub>3</sub>	14.5 mm	
d	3 mm	
K	M6	Lubrication connector DIN3405-A
S <sub>1</sub>	6 mm	Hexagon socket adjusting screw
S <sub>2</sub>	3 mm	Hexagon socket counter forcing screw
K	M6	Size thread k DIN
K M <sub>A</sub>	17 Nm	Tightening torque fixing screws
D <sub>2</sub>	6.6 mm	
A <sub>max</sub>	10 mm	Screw stroke A
Delta h <sub>max</sub>	0.52 mm	Adjustment maximum
	0.05 mm	Adjustment screw revolution

### Related products

UG9741, UGN9741-A, suitable Guide Rails  
 UZ9741, UZN9741-A,  
 UFK4710, UFB6412