**RUS26086-KS**

直线循环滚柱轴承组件

带间隔元件的直线滚珠轴承，带断面润滑街头
RUS

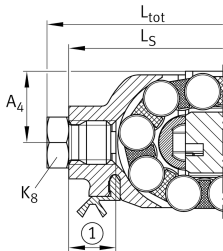
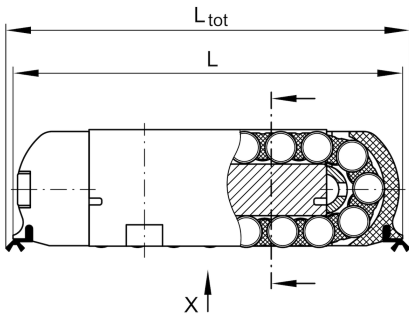
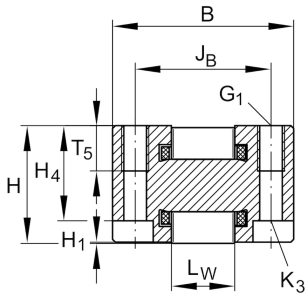
技术信息

主要尺寸和性能数据

L_{tot}	98 mm	total length
B	40 mm	宽度
H	26 mm	高度
C	76,000 N	Basic dynamic load rating
C_0	113,000 N	Basic static load rating
$\approx m$	0.525 kg	重量

安装尺寸

L_1	52.8 mm	Mounting dimension
J_B	30 mm	Mounting dimension
J_L	28 mm	
H_1	0.2 mm	
L_4	63 mm	minimum support length
L_W	14 mm	
H_4	21 mm	
T_5	10.2 mm	
G_1	M6	fixing screws top (DIN ISO 4762-12.9)
$G_1 M_A$	17 Nm	Tightening torque fixing screws
K_3	M4	fixing screws below (DIN ISO 4762-12.9)
$K_3 M_{Amax}$	5 Nm	Tightening torque fixing screws
D_2	4.9 mm	
L_S	92 mm	
A_4	13.5 mm	
	M6	Lubrication connection DIN3405-A
	6 mm	

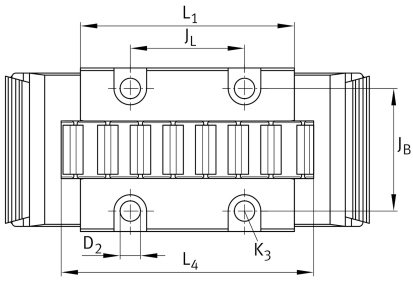




在 medias 上檢視產品詳細資料

23.10.2024, 14:44:17 CST

SCHAEFFLER



Related products

VUS26086-A	Adjustment gib
UG9741, UGN9741-A,	suitable Guide rail
UZ9741, UZN9741-A,	
U FK4710, UFB6412	