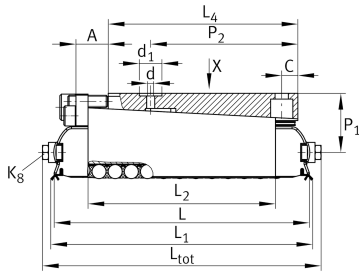


RUSV60206-KS [↗](#)

直线循环滚柱轴承组件

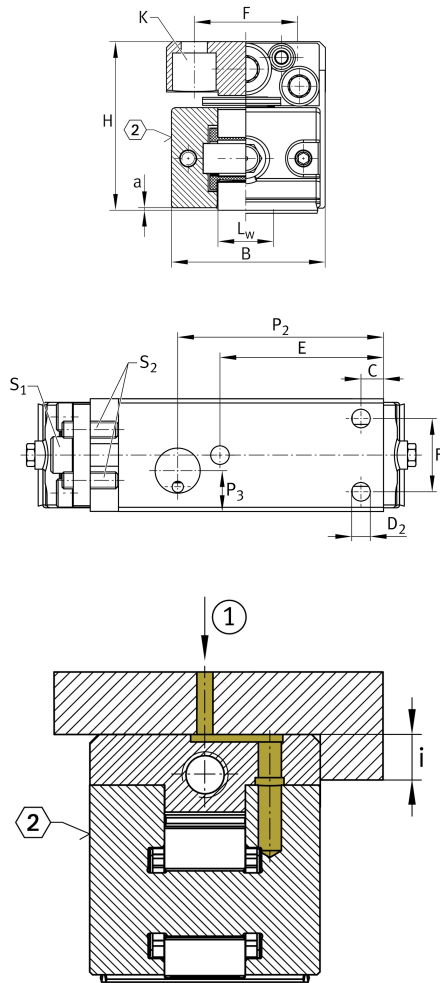
直线滚珠轴承，带间隔元件，带集成调节槽，RUSV...KS

技术信息



主要尺寸和性能数据

L	216 mm	Length total
B	52 mm	宽度
H	60 mm	高度
C	305,000 N	Basic dynamic load capacity
C ₀	550,000 N	Basic static load capacity
≈m	4.15 kg	重量



安装尺寸

L	206 mm	
L ₁	206 mm	
L ₃	158 mm	
L ₄	159 mm	
a	0.3 mm	
L _w	20 mm	
C	10 mm	
E	115 mm	Mounting dimension
F	35 mm	
i	8 mm	Mounting dimension
P ₁	41.5 mm	
d ₁	22 mm	
P ₂	145 mm	
P ₃	18 mm	
d	4 mm	
K	M6	Lubrication connector DIN3405-A
S ₁	8 mm	Hexagon socket adjusting screw
S ₂	4 mm	Hexagon socket counter forcing screw
K	M8	Size thread k DIN
K M _A	41 Nm	Tightening torque fixing screws
D ₂	8.6 mm	
A _{max}	15 mm	Screw stroke A
Delta h _{max}	0.78 mm	Adjustment maximum
	0.05 mm	Adjustment screw revolution

Related products

UG12553, UGN12553- suitable Guide Rails
 A, UZ12553,
 UZN12553-A,
 UFK6412, UFB7812