

RUS19069-KS

直线循环滚柱轴承组件

带间隔元件的直线滚珠轴承，带断面润滑街头
RUS

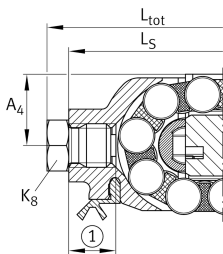
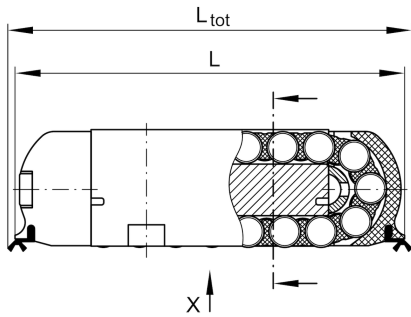
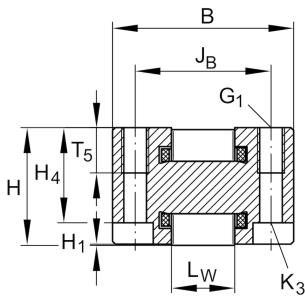
技术信息

主要尺寸和性能数据

L_{tot}	82 mm	total length
B	27 mm	宽度
H	19 mm	高度
C	42,000 N	Basic dynamic load rating
C_0	66,000 N	Basic static load rating
$\approx m$	0.208 kg	重量

安装尺寸

L_1	43.8 mm	Mounting dimension
J_B	20.6 mm	Mounting dimension
J_L	25.5 mm	
H_1	0.2 mm	
L_4	50 mm	minimum support length
L_W	10 mm	
H_4	15.2 mm	
T_5	6.2 mm	
G_1	M4	fixing screws top (DIN ISO 4762-12.9)
$G_1 M_A$	5 Nm	Tightening torque fixing screws
K_3	M3	fixing screws below (DIN ISO 4762-12.9)
$K_3 M_{Amax}$	1.8 Nm	Tightening torque fixing screws
D_2	3.5 mm	
L_S	76 mm	
A_4	9.8 mm	
	M6	Lubrication connection DIN3405-A
	6 mm	

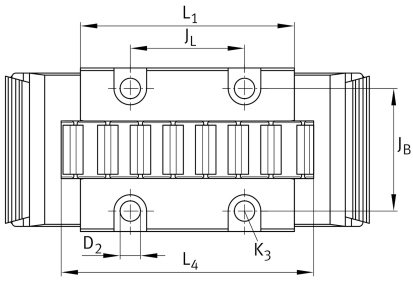




在 medias 上檢視產品詳細資料

23.10.2024, 14:23:44 CST

SCHAEFFLER



Related products

VUS19069-A	Adjustment gib
UG6628, UGN6628, UZ6628, UZN6628,	suitable Guide rail
U FK3210, UFB4710	