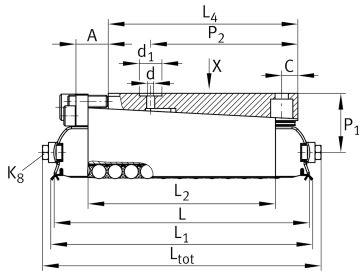


RUSV30105-KS [↗](#)

直线循环滚柱轴承组件

直线滚珠轴承，带间隔元件，带集成调节槽，RUSV...-KS

技术信息

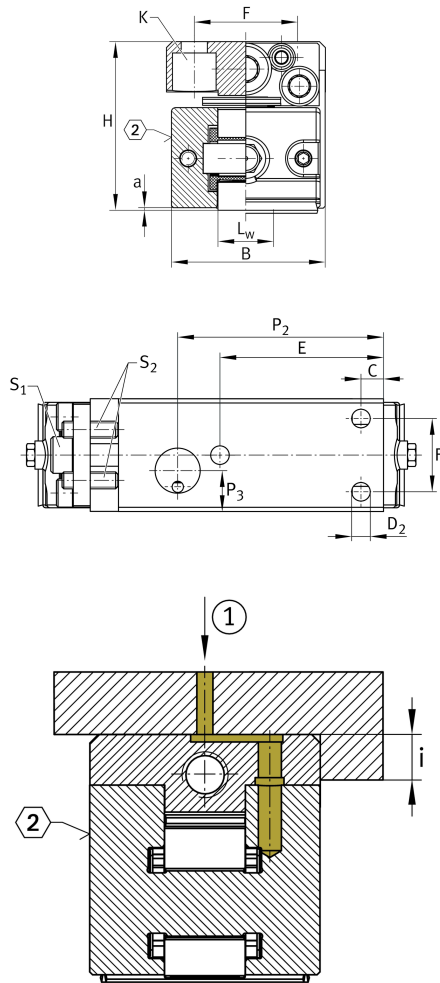


主要尺寸和性能数据

| | | |
|----------------|-----------|-----------------------------|
| L | 117 mm | Length total |
| B | 27 mm | 宽度 |
| H | 30 mm | 高度 |
| C | 68,000 N | Basic dynamic load capacity |
| C ₀ | 123,000 N | Basic static load capacity |
| ≈m | 0.53 kg | 重量 |



安装尺寸



| | | |
|------------------------|----------|--------------------------------------|
| L | 105 mm | |
| L ₁ | 111 mm | |
| L ₃ | 78.5 mm | |
| L ₄ | 79 mm | |
| a | 0.3 mm | |
| L _w | 10 mm | |
| C | 5 mm | |
| E | 45 mm | Mounting dimension |
| F | 19 mm | |
| i | 4 mm | Mounting dimension |
| P ₁ | 21 mm | |
| d ₁ | 12 mm | |
| P ₂ | 53 mm | |
| P ₃ | 9 mm | |
| d | 2.5 mm | |
| K | M6 | Lubrication connector DIN3405-A |
| S ₁ | 3 mm | Hexagon socket adjusting screw |
| S ₂ | 2 mm | Hexagon socket counter forcing screw |
| K | M4 | Size thread k DIN |
| KM _A | 5 Nm | Tightening torque fixing screws |
| D ₂ | 4.5 mm | |
| A _{max} | 7 mm | Screw stroke A |
| Delta h _{max} | 0.37 mm | Adjustment maximum |
| | 0.023 mm | Adjustment screw revolution |

Related products

UG6628, UGN6628, suitable Guide Rails
 UZ6628, UZN6628,
 UFK3210, UFB4710