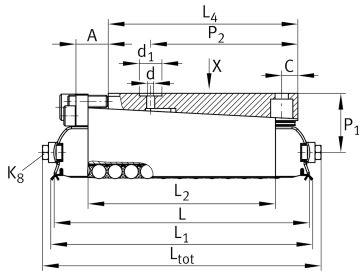


### RUSV30069-KS [↗](#)

#### 直线循环滚柱轴承组件

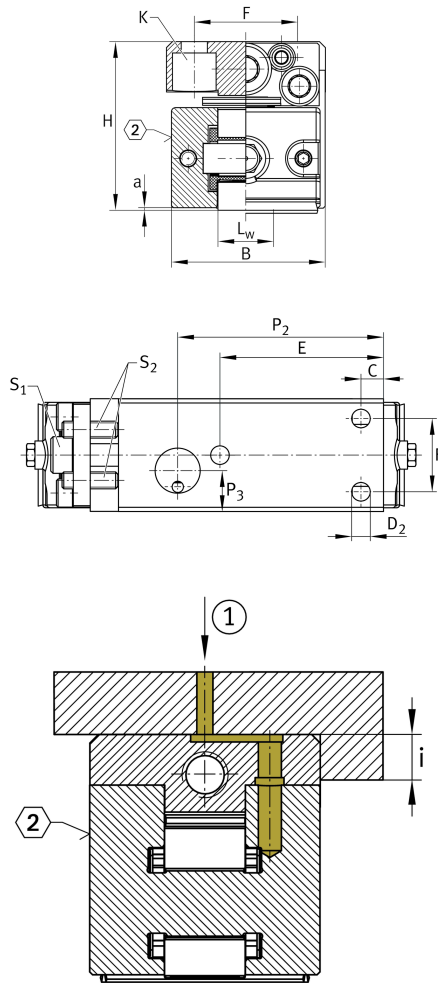
直线滚珠轴承，带间隔元件，带集成调节槽，RUSV...KS

### 技术信息



#### 主要尺寸和性能数据

L	82 mm	Length total
B	27 mm	宽度
H	30 mm	高度
C	42,000 N	Basic dynamic load capacity
C <sub>0</sub>	66,000 N	Basic static load capacity
≈m	324.36 g	重量



### 安装尺寸

L	69 mm	
L <sub>1</sub>	75 mm	
L <sub>3</sub>	43.5 mm	
L <sub>4</sub>	45 mm	
a	0.3 mm	
L <sub>w</sub>	10 mm	
C	5 mm	
E	25 mm	Mounting dimension
F	19 mm	
i	4 mm	Mounting dimension
P <sub>1</sub>	21 mm	
d <sub>1</sub>	12 mm	
P <sub>2</sub>	33 mm	
P <sub>3</sub>	9 mm	
d	2.5 mm	
K	M6	Lubrication connector DIN3405-A
S <sub>1</sub>	3 mm	Hexagon socket adjusting screw
S <sub>2</sub>	2 mm	Hexagon socket counter forcing screw
K	M4	Size thread k DIN
K M <sub>A</sub>	5 Nm	Tightening torque fixing screws
D <sub>2</sub>	4.5 mm	
A <sub>max</sub>	7 mm	Screw stroke A
Delta h <sub>max</sub>	0.37 mm	Adjustment maximum
	0.035 mm	Adjustment screw revolution

### Related products

UG6628, UGN6628, suitable Guide Rails  
 UZ6628, UZN6628,  
 UFK3210, UFB4710