

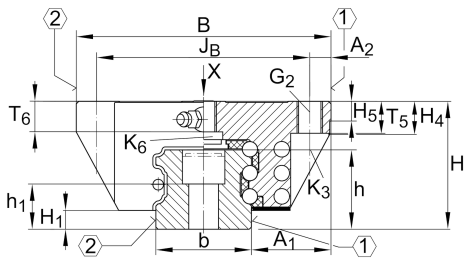
### KWSE35

#### 循环球轴承滑块

六列直线循环滚珠轴承的标准滑块和导轨组件

X-life

### 技术信息



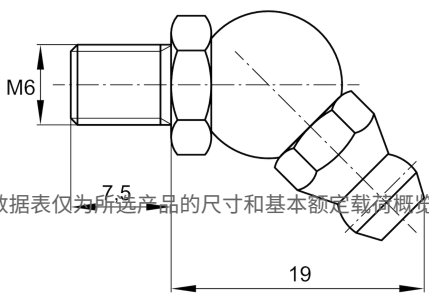
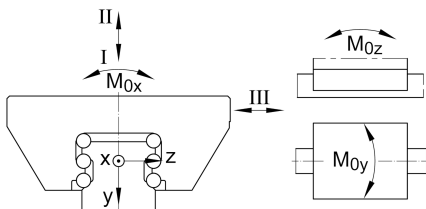
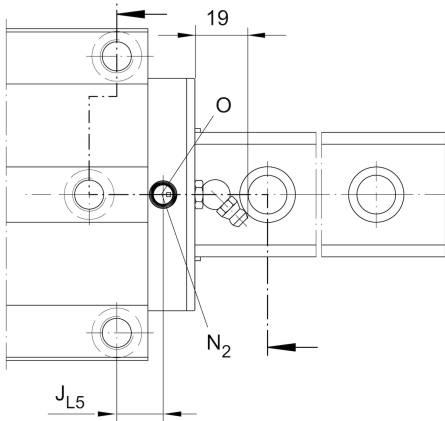
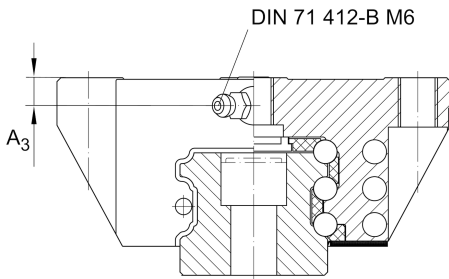
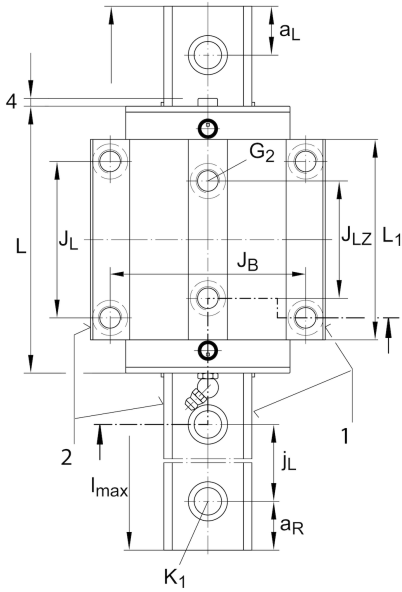
### 主要尺寸和性能数据

H	48 mm	height system
B	100 mm	width carriage
L	107.2 mm	overall length carriage
I C	55,000 N	dynamic load rating, load direction I: compressive load
I C <sub>0</sub>	102,000 N	static load rating, load direction I: compressive load
II C	53,300 N	dynamic load rating, load direction II: tensile load
II C <sub>0</sub>	82,400 N	static load rating, load direction II: tensile load
III C	56,600 N	dynamic load rating; basic dynamic load rating, Load direction III: lateral load
III C <sub>0</sub>	89,150 N	static load rating, Load direction III: lateral load
≈m	1.5 kg	重量



安装尺寸

$A_1$	33 mm	Distance from locating edge on carriage to locating edge on guideway
$J_B$	82 mm	
$b$	34 mm	width rail
$A_2$	9 mm	Distance from locating edge to hole
$L_1$	78.3 mm	
$J_L$	62 mm	
$J_{LZ}$	52 mm	
$H_1$	6.6 mm	Free space, system dimension
$H_4$	13.3 mm	
$H_5$	6.5 mm	
$T_5$	13 mm	Thread depth
$T_6$	12 mm	
$G_2$	M10	fixing screws below (DIN ISO 4762-12.9)
$G_2 M_A$	41 Nm	maximum tightening torque
$K_3$	M8	fixing screws below (DIN ISO 4762-12.9)
$K_3 M_A$	41 Nm	maximum tightening torque
$K_6$	M8	fixing screws below (DIN ISO 4762-12.9)
$K_6 M_A$	24 Nm	maximum tightening torque
$D_2$	8.6 mm	
$N_2$	4.5 mm	max. diameter of lubrication hole in adjacent construction
$J_{L5}$	11.93 mm	position lubrication connector
$A_3$	7.2 mm	position lubrication connector
$t_{A_3}$	7 mm	maximum permissible screw depth for lubrication connectors
$O$	4,5x1,5	O-Ring DIN 3771
$M_{0x}$	2,300 Nm	Moment
$M_{0y}$	1,300 Nm	Moment
$M_{0z}$	1,140 Nm	Moment





### 附加信息

---

VMKB\_065

KWSE

Material name