

RUS38206-KS [↗](#)

直线循环滚柱轴承组件

带间隔元件的直线滚珠轴承，带断面润滑街头
RUS

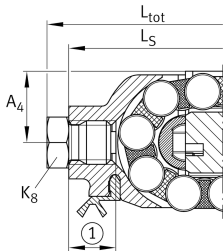
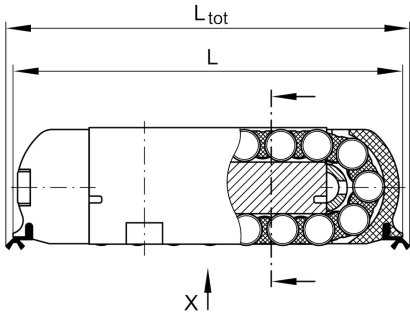
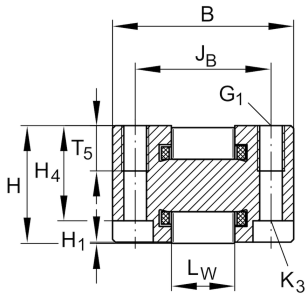
技术信息

主要尺寸和性能数据

L_{tot}	216.1 mm	total length
B	52 mm	宽度
H	38 mm	高度
C	305,000 N	Basic dynamic load rating
C_0	550,000 N	Basic static load rating
$\approx m$	2.61 kg	重量

安装尺寸

L_1	158.8 mm	Mounting dimension
J_B	41 mm	Mounting dimension
J_L	102 mm	
H_1	0.2 mm	
L_4	172 mm	minimum support length
L_W	20 mm	
H_4	31 mm	
T_5	14.2 mm	
G_1	M8	fixing screws top (DIN ISO 4762-12.9)
$G_1 M_A$	41 Nm	Tightening torque fixing screws
K_3	M6	fixing screws below (DIN ISO 4762-12.9)
$K_3 M_{Amax}$	17 Nm	Tightening torque fixing screws
D_2	6.9 mm	
L_S	210.1 mm	
A_4	19.3 mm	
	M6	Lubrication connection DIN3405-A
	6 mm	

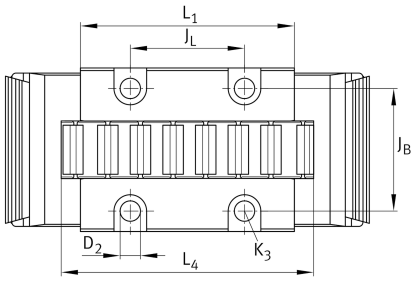




在 medias 上檢視產品詳細資料

23.10.2024, 14:53:43 CST

SCHAEFFLER



Related products

VUS38206-A	Adjustment gib
UG12553, UGN12553-A, UZ12553, UZN12553-A,	suitable Guide rail
U FK6412, UFB7812	