**TSX55-E-ADE** [↗](#)

修形轨道

技术信息

主要尺寸和性能数据

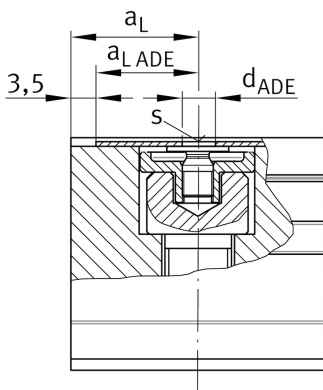
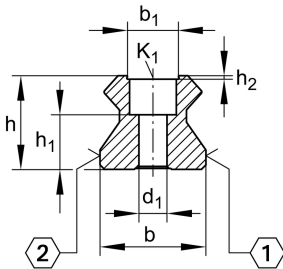
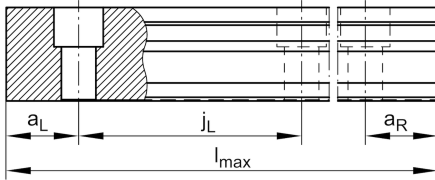
h	45 mm	Height
b	53 mm	Width
Tol b	-0.005 mm	Upper tolerance
Tol b	-0.035 mm	Lower tolerance
≈m	13.1 kg/m	重量

安装尺寸

K ₁	M14	Fixing screws (DIN ISO 4762-12.9)
d ₁	15.4 mm	bore diameter
K1 M _A	220 Nm	Tightening torque

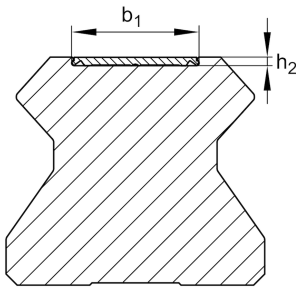
尺寸

l _{max}	6,000 mm	Max length single piece guideway
a _{L min}	20 mm	Distance
a _{L max}	47 mm	Distance
a _{R min}	20 mm	Distance
a _{R max}	47 mm	Distance
j _L	60 mm	Increment
h ₁	22.5 mm	Length
Tol h ₁	0.5 mm	Upper tolerance
Tol h ₁	-0.5 mm	Lower tolerance
h ₂	1.1 mm	Depth
b ₁	26 mm	Width
d _{ADB}	3.9 mm	Bore diameter
s	0.6 mm	Thickness





附加信息



RWU55-E-...; RWU55- usable carriage(s)

F-...

RUE55-E-...; RUE55- Usable linear systems

F-...